

# HARTMANN

## PUMPS - MOTORS - CONTROLS

604 Progress Dr., Hartland, WI 53029 USA

Tel: (262) 367-4299

Fax: (262) 367-5645

Email: [sales@hartmanncontrols.com](mailto:sales@hartmanncontrols.com)

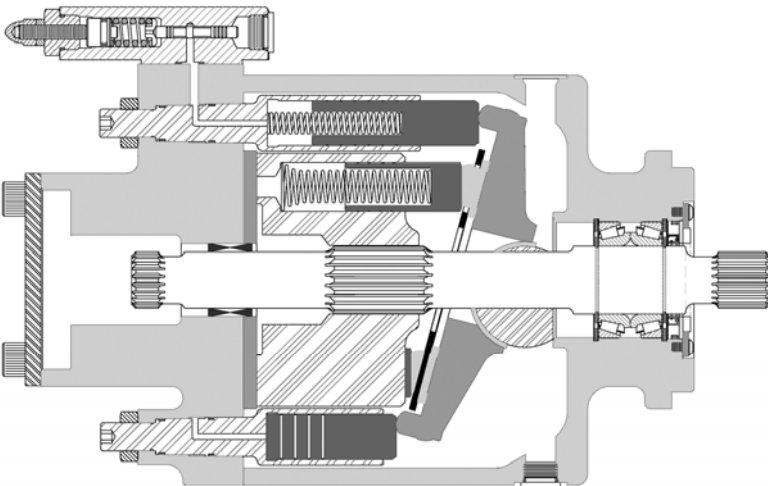
URL: <http://www.hartmanncontrols.com>

### FRAME 3

### PVX 9144

(144 cm.<sup>3</sup>/rev.) (9.0 in.<sup>3</sup>/rev.)

VARIABLE DISPLACEMENT, AXIAL PISTON, SWASH PLATE DESIGN PUMP



#### Features:

- Offered with a standard SAE 'C' 2- & 4-bolt mount.
- Incorporated in a compact design with rugged ductile iron frame.
- Offered with variety of porting configurations.
- Offered with a variety of drive shaft options.
- Is Service friendly.
- Equipped with Viton shaft seal and O-rings.
- Can be fitted with a variety of control options.
- Equipped with maximum and minimum volume stops. The latter is adjustable.

This versatile PVX pump is aimed at operating in both industrial and mobile applications. With its continuous operating pressures ranging from 500 to 3850 psi, and shaft speeds up to 2100 rpm at atmospheric inlet conditions, this pump is designed for a long and dependable service.



**Pumps & Motors with a *hart of gold***

TM

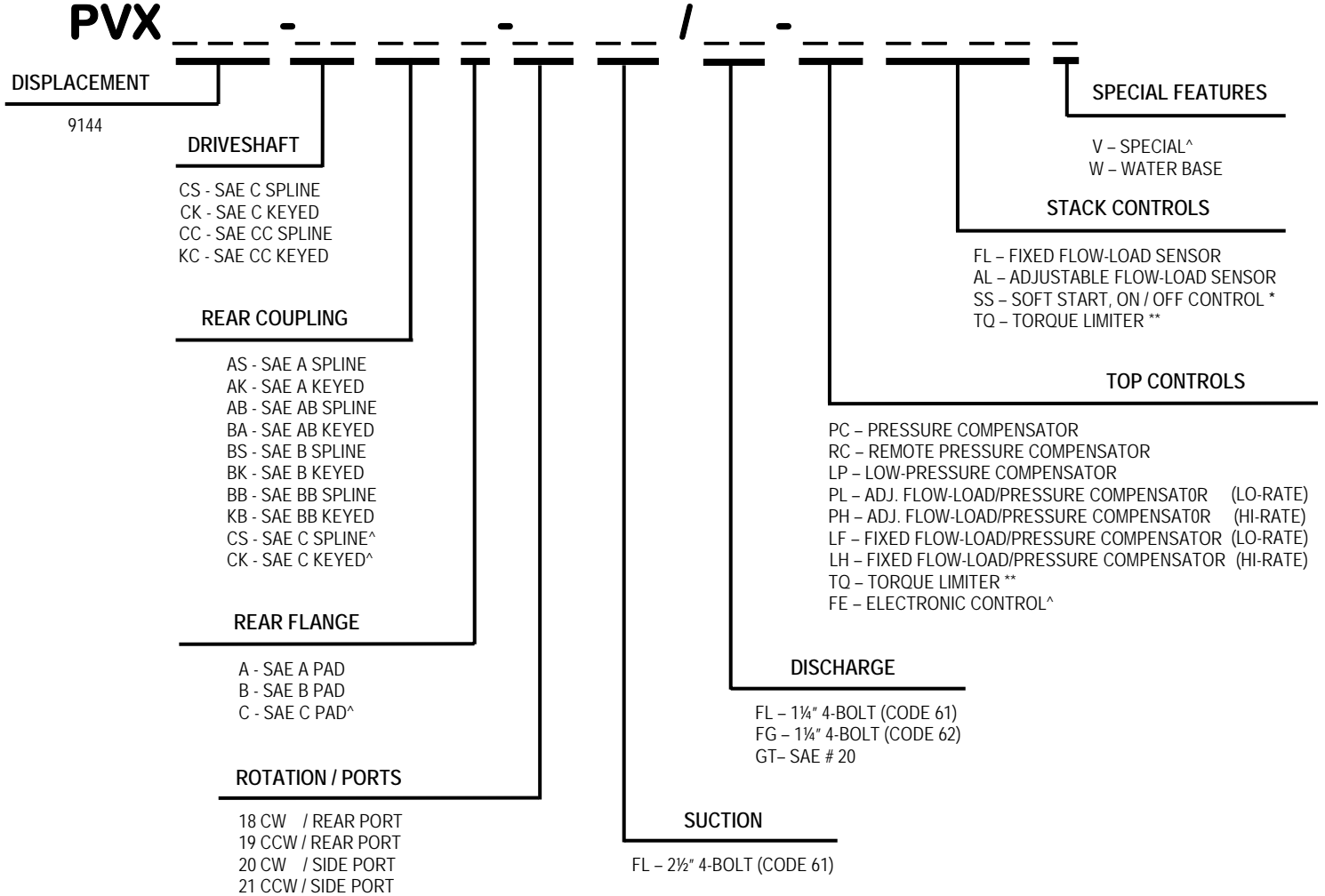
## FRAME 3, PVX 9144 SPECIFICATIONS

PVX	RATED PRESSURE	PEAK PRESSURE	MINIMUM PRESSURE	
9144	<b>3850 lb/in<sup>2</sup></b> (265 bar)	<b>4500 lb/in<sup>2</sup></b> (310 bar)	<b>500 lb/in<sup>2</sup></b> (34 bar)	
PVX	DISPLACEMENT	THEORETICAL FLOW @ 1800 rpm	SHAFT SPEED	
			MAXIMUM	MINIMUM
9144	<b>9.0 in<sup>3</sup>/rev</b> (144 cm <sup>3</sup> /rev)	<b>70.1 gal/min</b> (265.0 l/min)	<b>2100 rpm</b>	<b>700 rpm</b>
PVX	OUTPUT TORQUE @ RATED PRESSURE	SHAFT SIZE	RECOMMENDED TORQUE LIMIT	
9144	<b>5,516 in-lb</b> (621.0 N-m)	<b>SAE C SAE CC</b>	<b>5,500 in-lb</b> (619.4 N-m) <b>9,500 in-lb</b> (1070.0 N-m)	

Input-shaft torque may not exceed the total of front-pump torque and (if added) rear-mounted units.

### MODEL SPECIFICATION CHART

# PVX

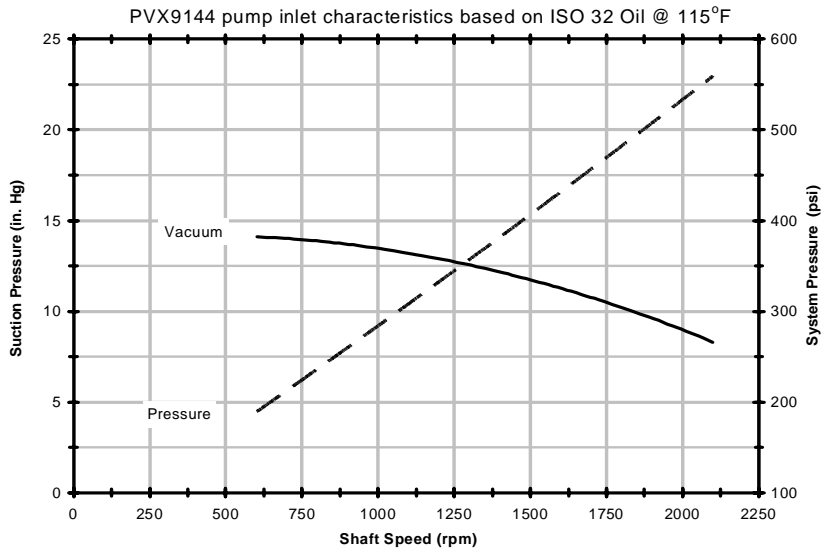
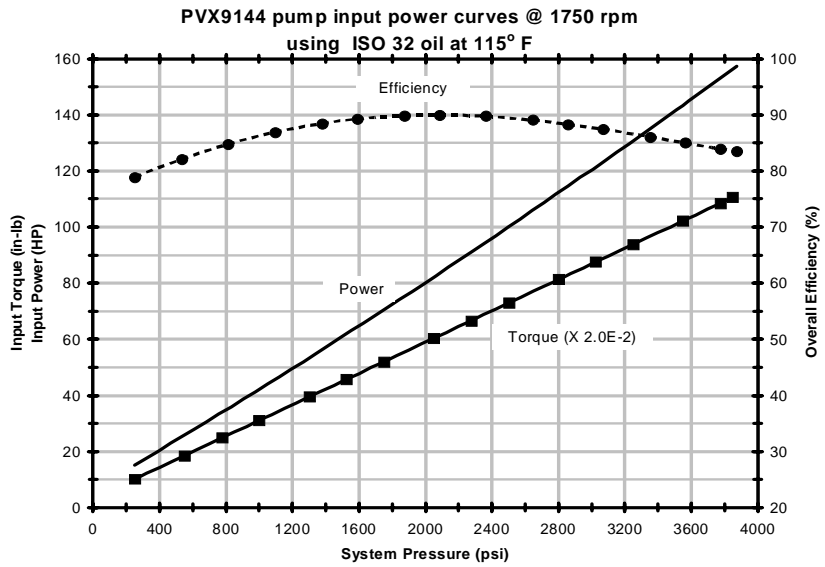
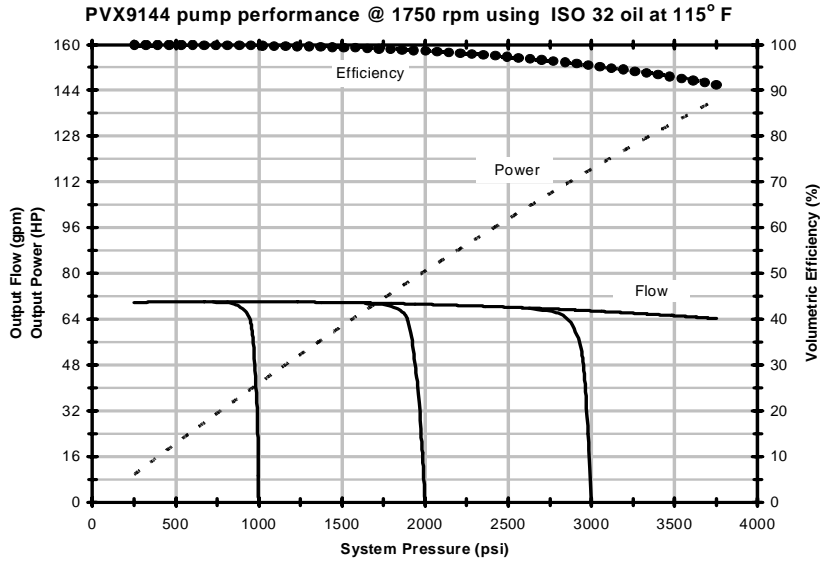


\* - SPECIFY VOLTAGE, CONNECTION AND ENERGIZE OPTION

\*\* - SPECIFY TERMINAL PRESSURE AND HORSE POWER

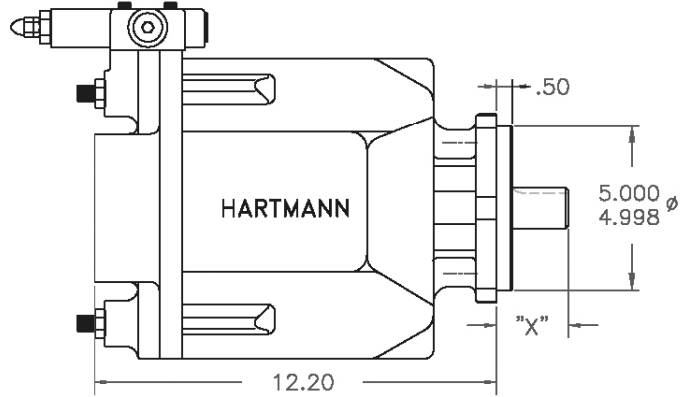
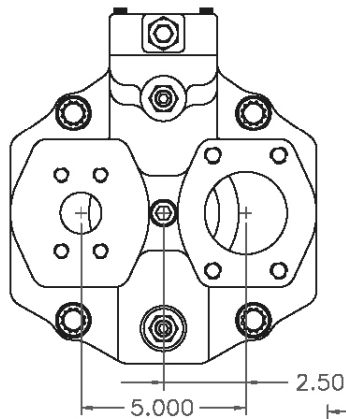
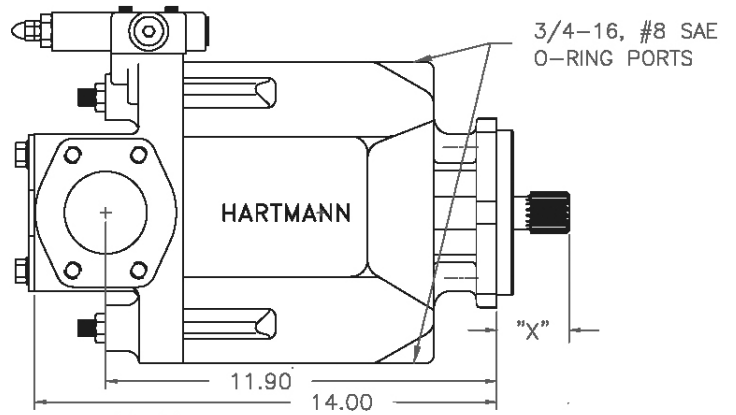
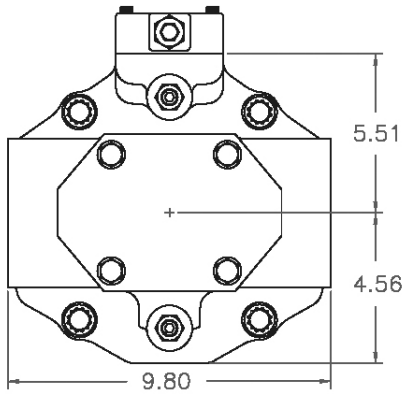
<sup>^</sup> - CONSULT FACTORY

# FRAME 3, PVX 9144 PERFORMANCE

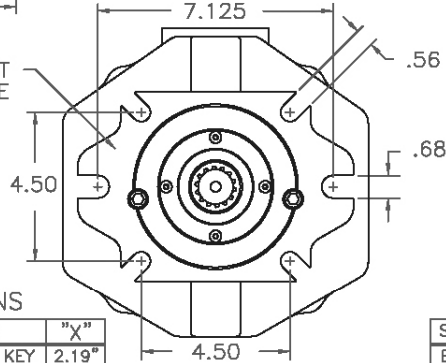


Pump typical weight: Side-Ported 150-155 lbs. Rear-Ported 145 lbs.

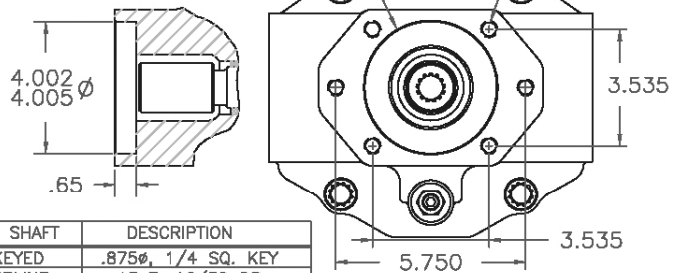
# FRAME 3, PVX 9144 DIMENSIONS



SAE 'C' 2- & 4-BOLT FRONT MOUNTING FLANGE



SAE "B" 2 & 4 BOLT MOUNTING FLANGE (6) 1/2-13

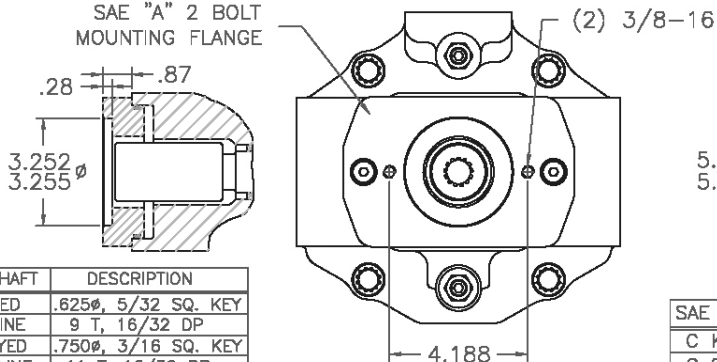


### DRIVESHAFT OPTIONS

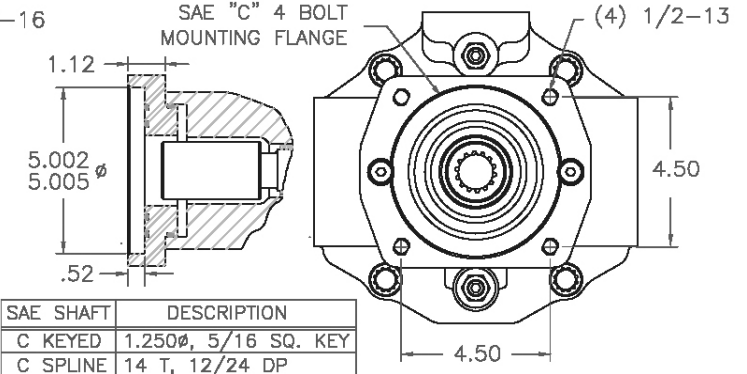
SAE SHAFT	DESCRIPTION	"X"
C KEYED	1.250 $\phi$ , 5/16 SQ. KEY	2.19"
C SPLINE	14 T, 12/24 DP	2.19"
C-C KEYED	1.500 $\phi$ , 3/8 SQ. KEY	2.44"
C-C SPLINE	17 T, 12/24 DP	2.44"

SAE SHAFT	DESCRIPTION
B KEYED	.875 $\phi$ , 1/4 SQ. KEY
B SPLINE	13 T, 16/32 DP
B-B KEYED	1.000 $\phi$ , 1/4 SQ. KEY
B-B SPLINE	15 T, 16/32 DP

SAE "A" 2 BOLT MOUNTING FLANGE



SAE "C" 4 BOLT MOUNTING FLANGE (4) 1/2-13



SAE SHAFT	DESCRIPTION
A KEYED	.625 $\phi$ , 5/32 SQ. KEY
A SPLINE	9 T, 16/32 DP
AB KEYED	.750 $\phi$ , 3/16 SQ. KEY
AB SPLINE	11 T, 16/32 DP

SAE SHAFT	DESCRIPTION
C KEYED	1.250 $\phi$ , 5/16 SQ. KEY
C SPLINE	14 T, 12/24 DP