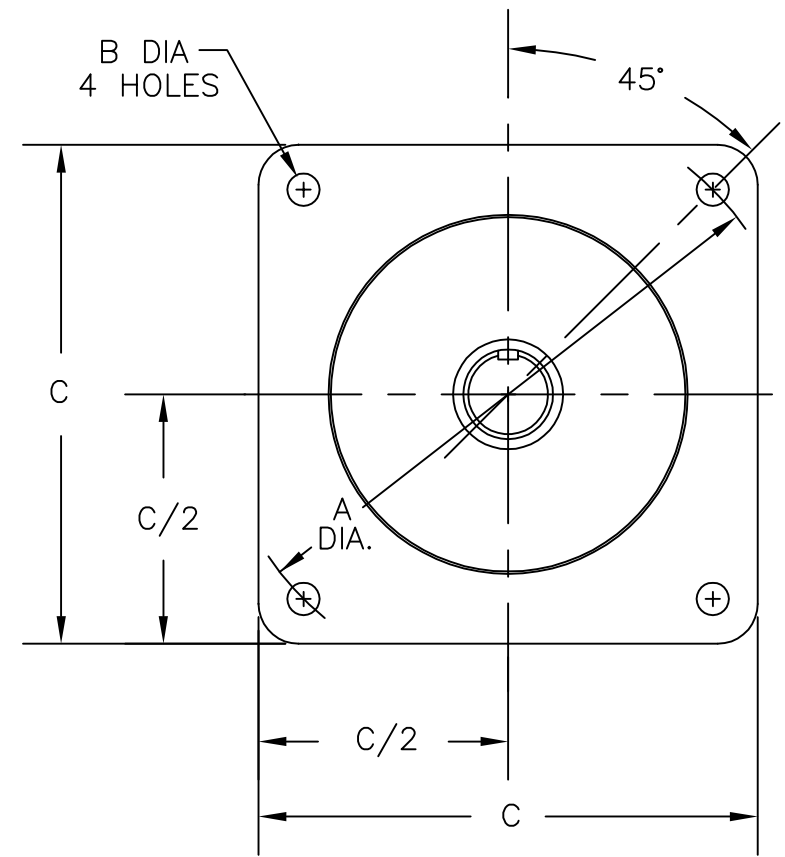
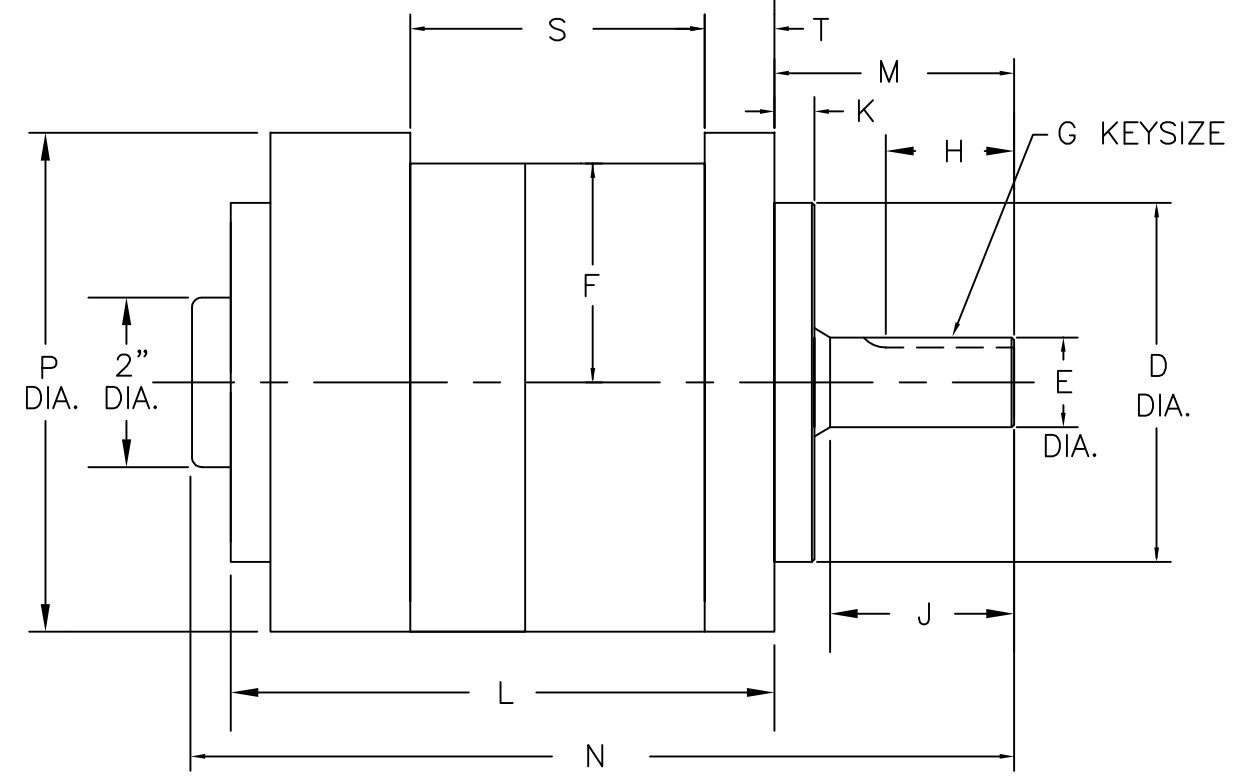
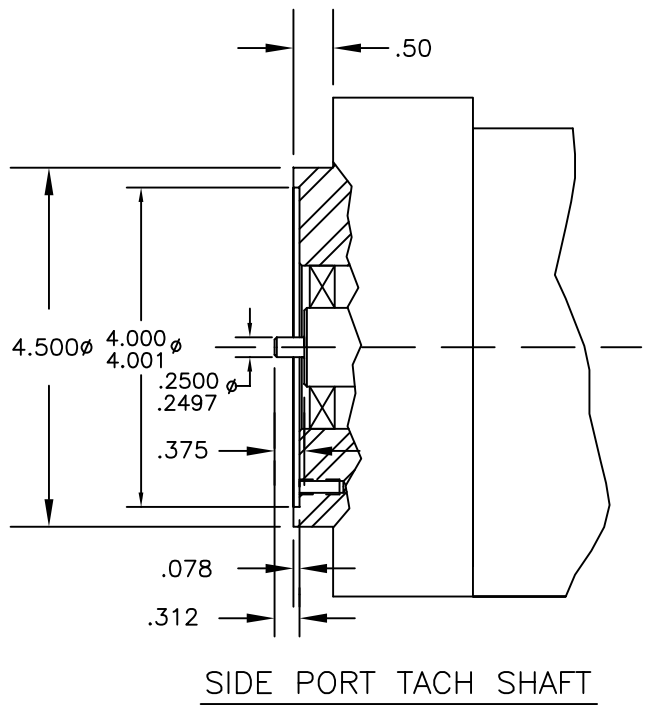
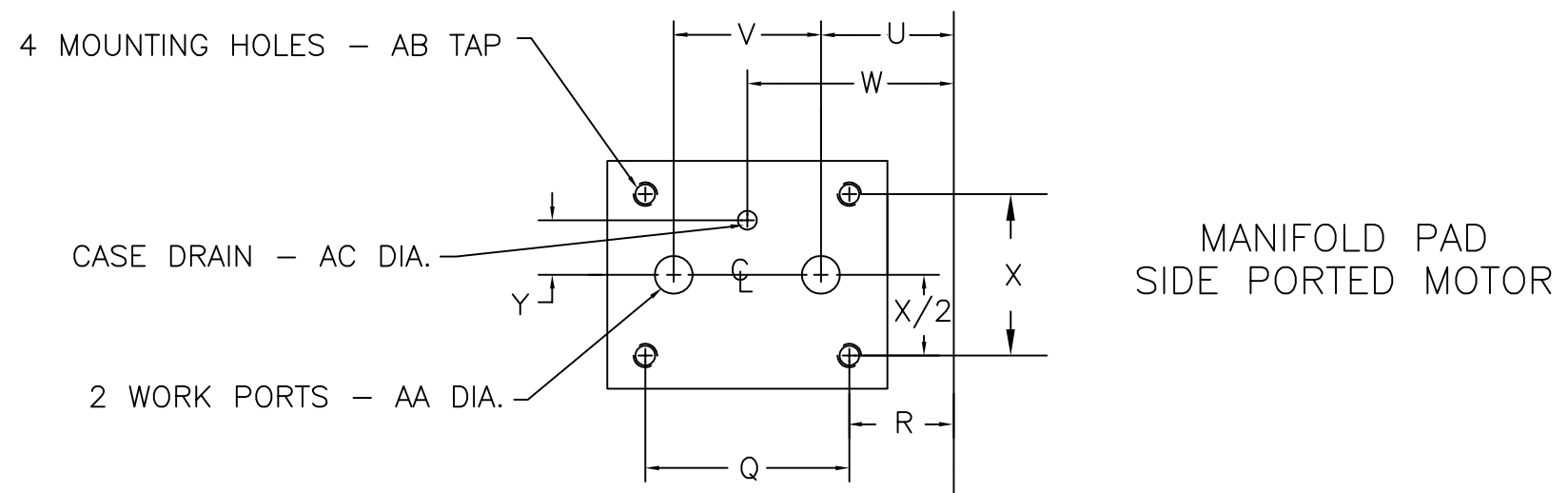


STANDARD DIMENSIONS FOR ROLVANE MOTORS – SIDE PORTS



MODEL	WT.	A	B	C	D	E	F	G	H	J	K	L	M	N	P	Q	R	S	T	U	V	W	X	Y	AA	AB	AC
HT 5	23	5.50	.34	4.75	3.12	.625	2.05	.188	.88	1.19	.25	4.69	1.63	6.81	4.63	1.56	1.25	4.19	.50	1.41	1.22	1.94	2.00	.37	.31	1/4-20	.19
HT 10	24	5.50	.34	4.75	3.12	.625	2.05	.188	.88	1.19	.38	5.63	2.00	8.13	4.63	1.56	3.81	2.44	1.38	3.94	1.25	4.50	2.00	.37	.31	1/4-20	.19
HT 22	33	6.50	.41	5.63	3.75	1.00	2.45	.188	1.31	1.63	.50	5.63	2.75	8.88	5.63	2.00	1.19	2.88	.75	1.44	1.50	2.19	2.13	.44	.38	5/16-18	.25
HT 50	57	7.25	.41	6.25	4.50	1.13	2.74	.250	1.88	2.72	.50	6.82	3.00	10.32	6.25	2.69	1.38	3.69	.88	1.75	1.94	2.72	2.13	.72	.50	5/16-18	.25
HT 76	84	8.31	.53	7.13	4.50	1.25	3.25	.250	2.00	2.97	.63	8.56	3.63	12.69	7.13	3.25	2.44	4.38	1.88	2.94	2.25	4.06	2.13	.63	.63	3/8-16	.25
HT 100	87	8.31	.53	7.13	4.50	1.25	3.25	.250	2.00	2.97	.63	8.62	3.63	12.75	7.13	3.56	2.44	4.69	1.88	2.87	2.69	3.53	2.13	.63	.63	3/8-16	.25