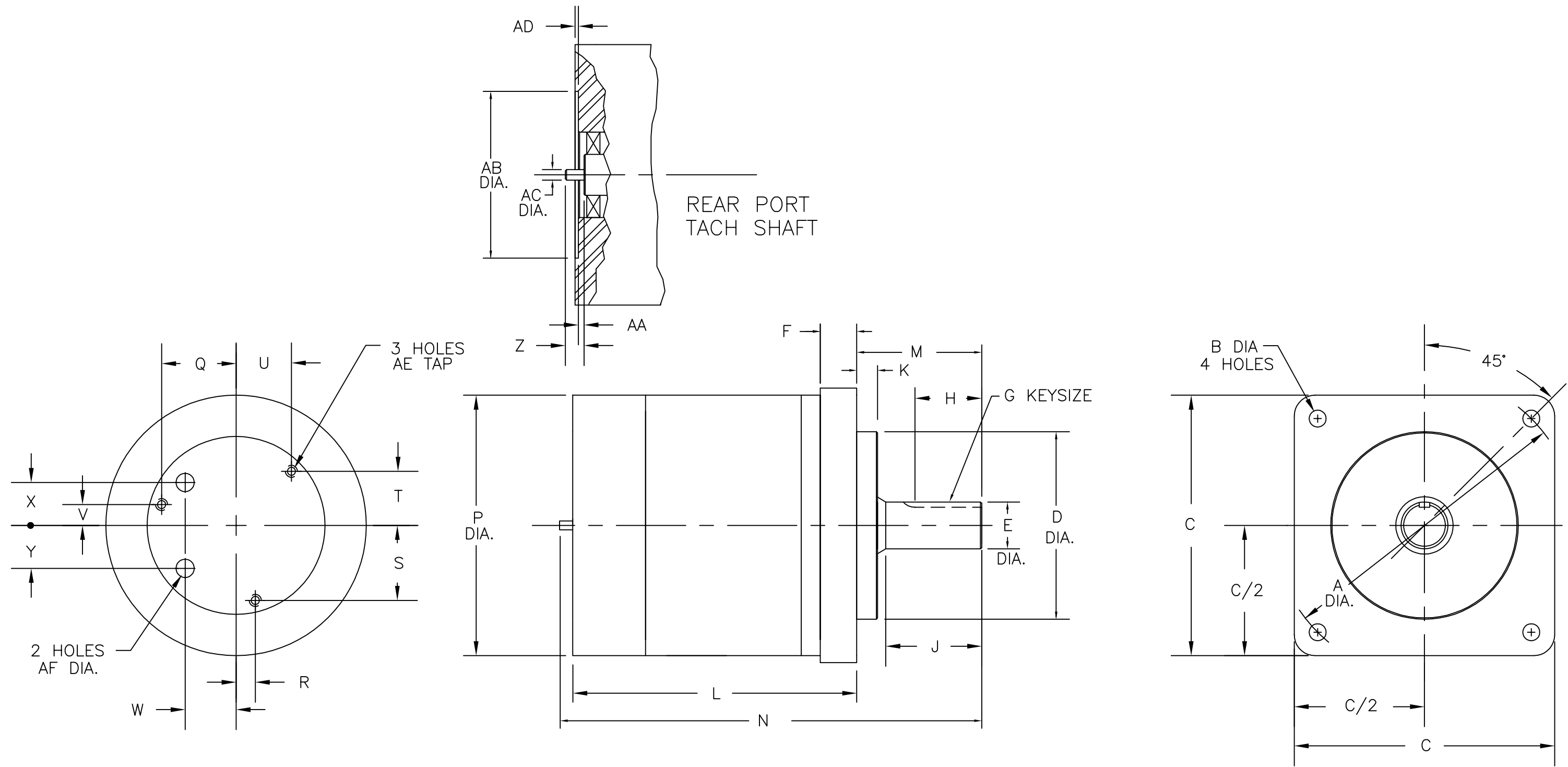


STANDARD DIMENSIONS FOR ROL-VANE MOTORS – REAR PORTS



NOT FOR CONSTRUCTION

MODEL	WT.	A	B	C	D	E	F	G	H	J	K	L	M	N	P	Q	R	S	T	U	V	W	X	Y	Z	AA	AB	AC	AD	AE	AF
HT 5	23	5.50	.34	4.75	3.75	.750	.50	.188	.88	1.25	.38	4.69	2.00	6.88	4.63	1.45	0	1.49	.34	1.45	.34	1.13	1.52	1.52	.38	.11	4.25	.250	.078	1/4-20	.28
HT 10	24	5.50	.34	4.75	3.75	.750	.50	.188	.88	1.25	.38	5.63	2.00	7.82	4.63	1.45	0	1.49	.34	1.45	.34	1.34	1.52	1.52	.38	.11	4.25	.250	.078	1/4-20	.28
HT 22	33	6.50	.41	5.63	3.75	.875	.75	.188	1.31	1.69	.50	5.63	2.75	8.38	5.63	1.88	.42	1.83	1.83	.42	0	1.34	1.13	1.13	.56	.56	4.63	.313	.078	5/16-18	.38
HT 50	57	7.25	.41	6.25	4.50	1.13	.88	.250	1.88	2.50	.50	6.81	3.00	9.81	6.25	1.88	.42	1.83	1.83	.42	0	1.34	1.13	1.13	.56	.56	4.63	.313	.078	5/16-18	.50
HT 76	84	8.31	.53	7.13	4.50	1.25	1.00	.250	2.00	3.00	.63	8.75	3.63	12.38	7.13	1.88	.42	1.83	1.83	.42	0	1.34	1.13	1.13	.56	.56	4.63	.313	.078	5/16-18	.63
HT 100	87	8.31	.53	7.13	4.50	1.25	1.00	.250	2.00	3.13	.63	8.93	3.75	12.68	7.13	1.88	.42	1.83	1.83	.42	0	1.34	1.13	1.13	.56	.56	4.63	.313	.078	5/16-18	.63