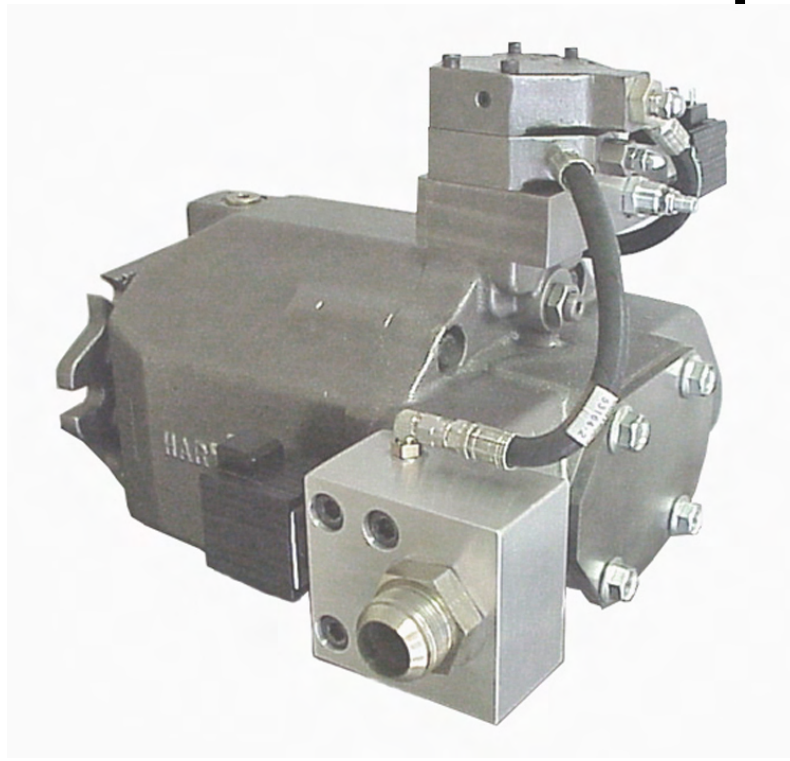
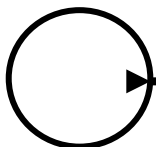




VC, Vented Pressure Compensator for PVX Series Pumps



*Hydraulic pumps & motors with a **hart of gold**™*



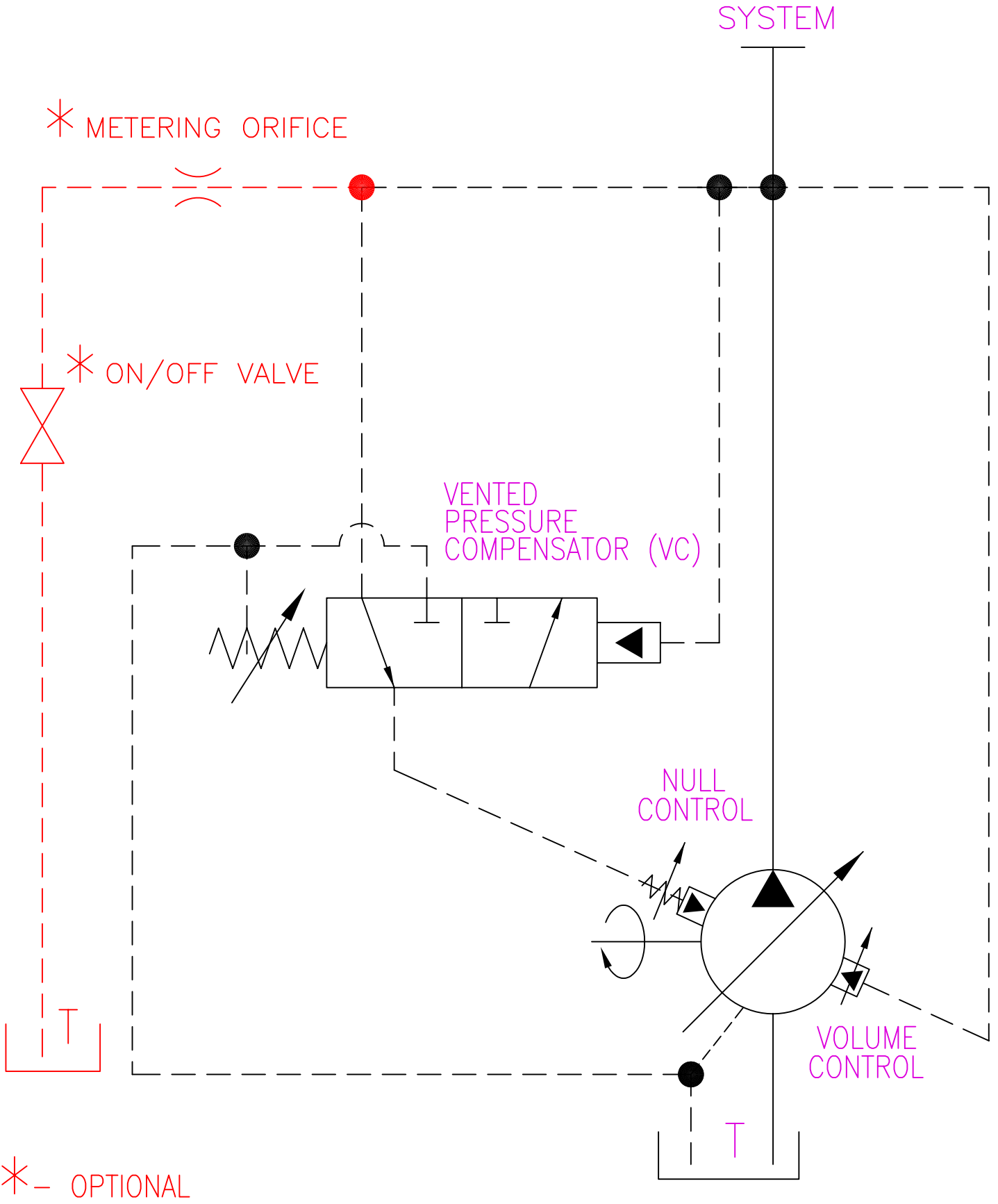
**604 PROGRESS DRIVE, HARTLAND, WI 53029
USA**

Phone: (262) 367-4299

URL: www.hartmanncontrols.com

FAX: (262) 367-5645

E-mail: sales@hartmanncontrols.com



* - OPTIONAL

NOT TO SCALE

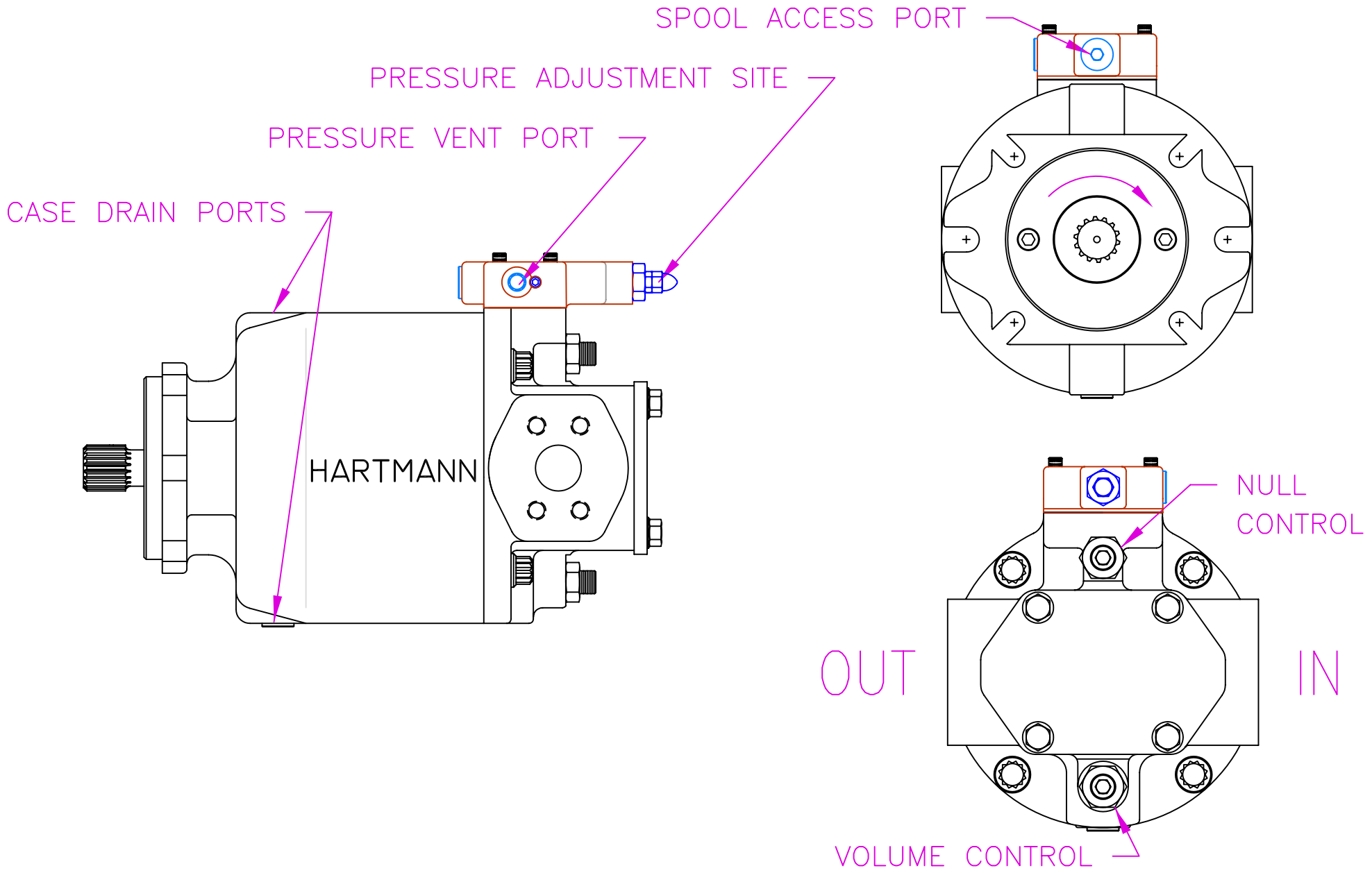
THE INFORMATION CONTAINED HEREIN IS THE PROPERTY OF HARTMANN CONTROLS INC., AND IS NOT TO BE USED IN A MANNER DETRIMENTAL TO HARTMANN CONTROLS INC.

DWG: SCMVC

TITLE: VENTED PRESSURE COMPENSATOR

604 PROGRESS DRIVE
HARTLAND, WI 53029

CONTROLS INC.



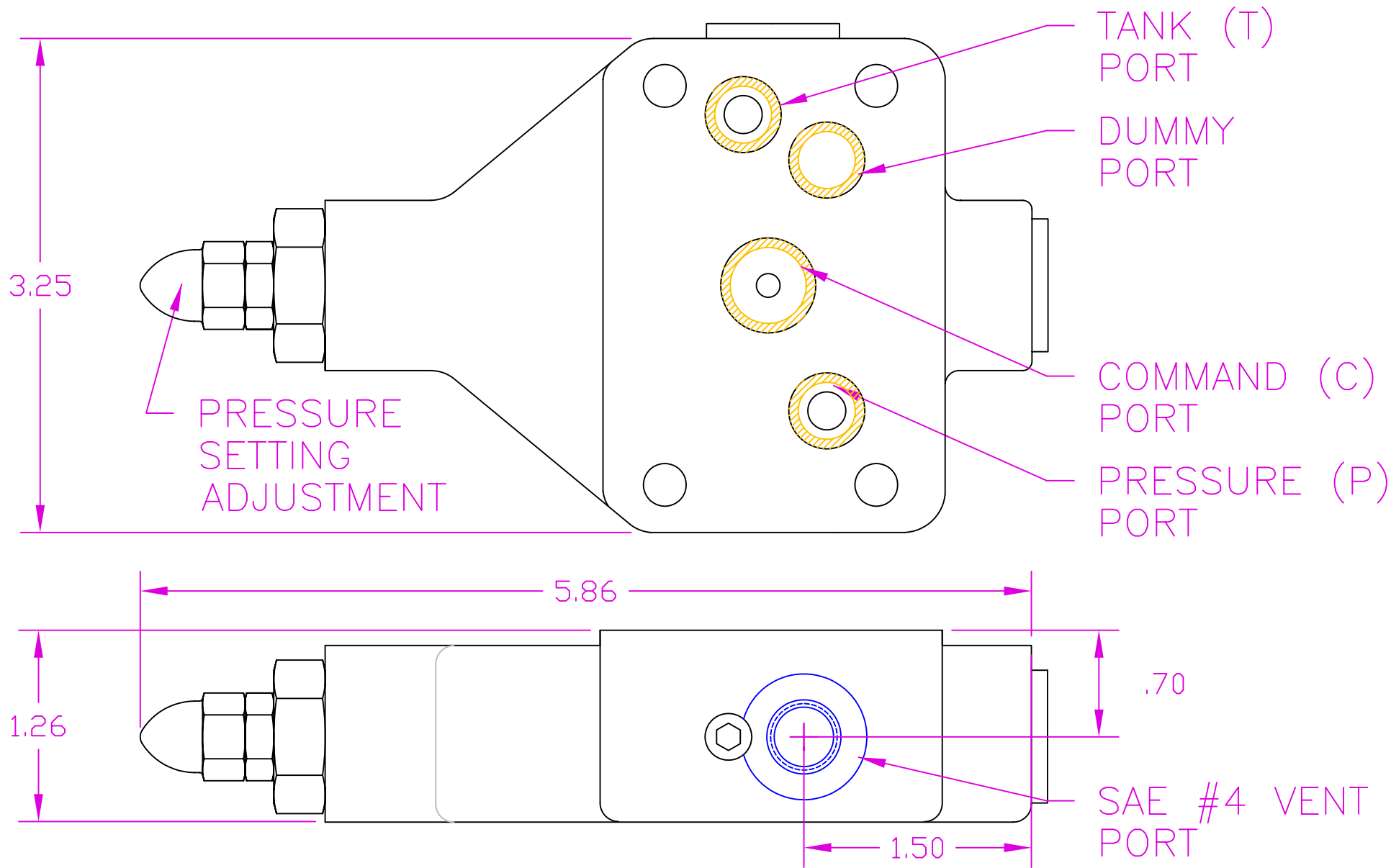
NOT TO SCALE

THE INFORMATION CONTAINED HEREIN IS THE PROPERTY OF HARTMANN CONTROLS INC., AND IS NOT TO BE USED IN A MANNER DETRIMENTAL TO HARTMANN CONTROLS INC.

DWG NO: **VCPUMP**

TITLE: **PVX PUMP WITH A VENTED PRESSURE COMPENSATOR**

HARTMANN
 CONTROLS INC.
 604 PROGRESS DRIVE
 HARTLAND, WI 53029



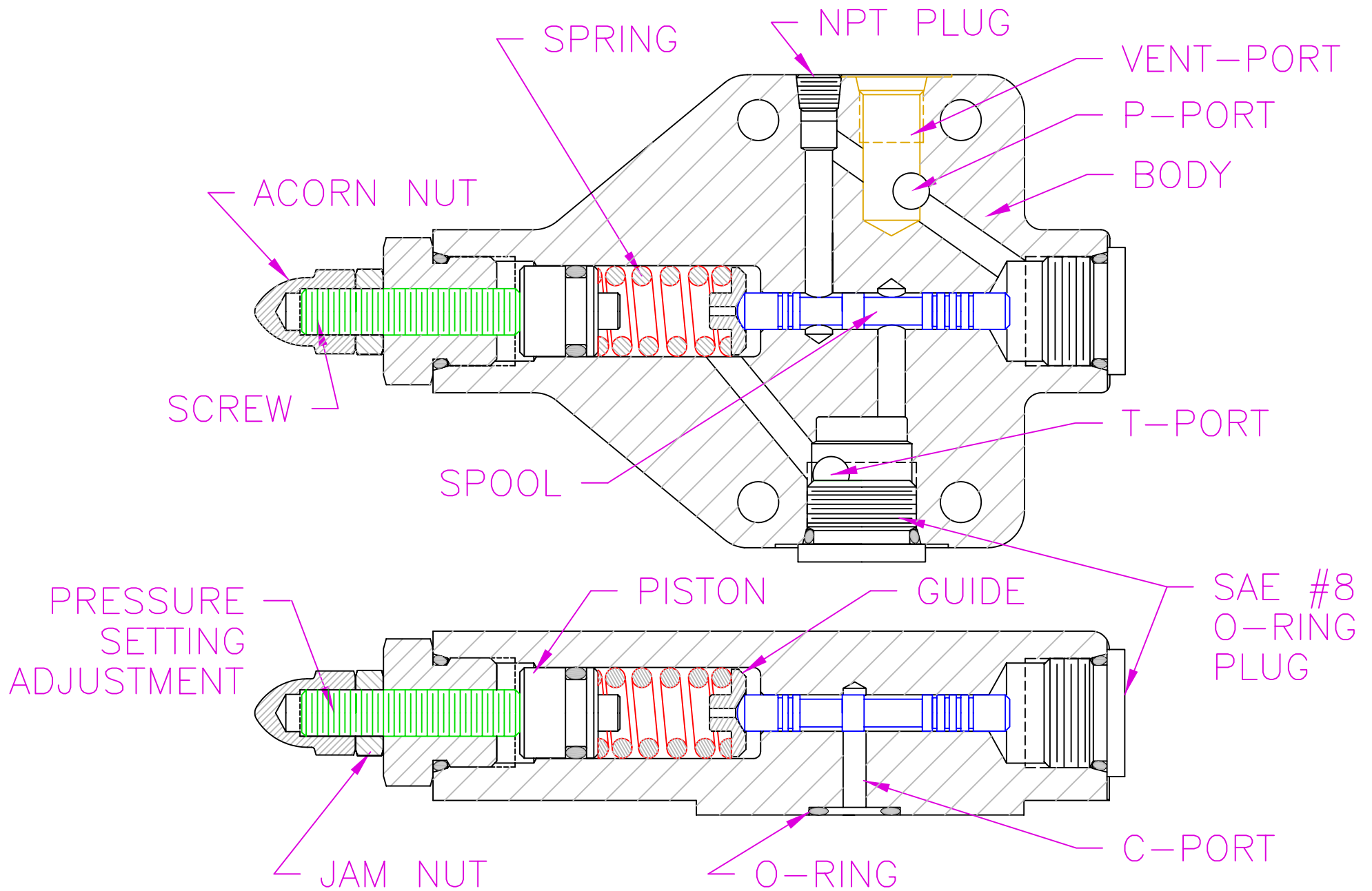
NOT TO SCALE

THE INFORMATION CONTAINED HEREIN IS THE PROPERTY OF HARTMANN CONTROLS INC., AND IS NOT TO BE USED IN A MANNER DETRIMENTAL TO HARTMANN CONTROLS INC.

DWG NO: 52319DIM

TITLE: OUTLINE OF A VENTED PRESSURE COMPENSATOR





NOT TO SCALE

TITLE:

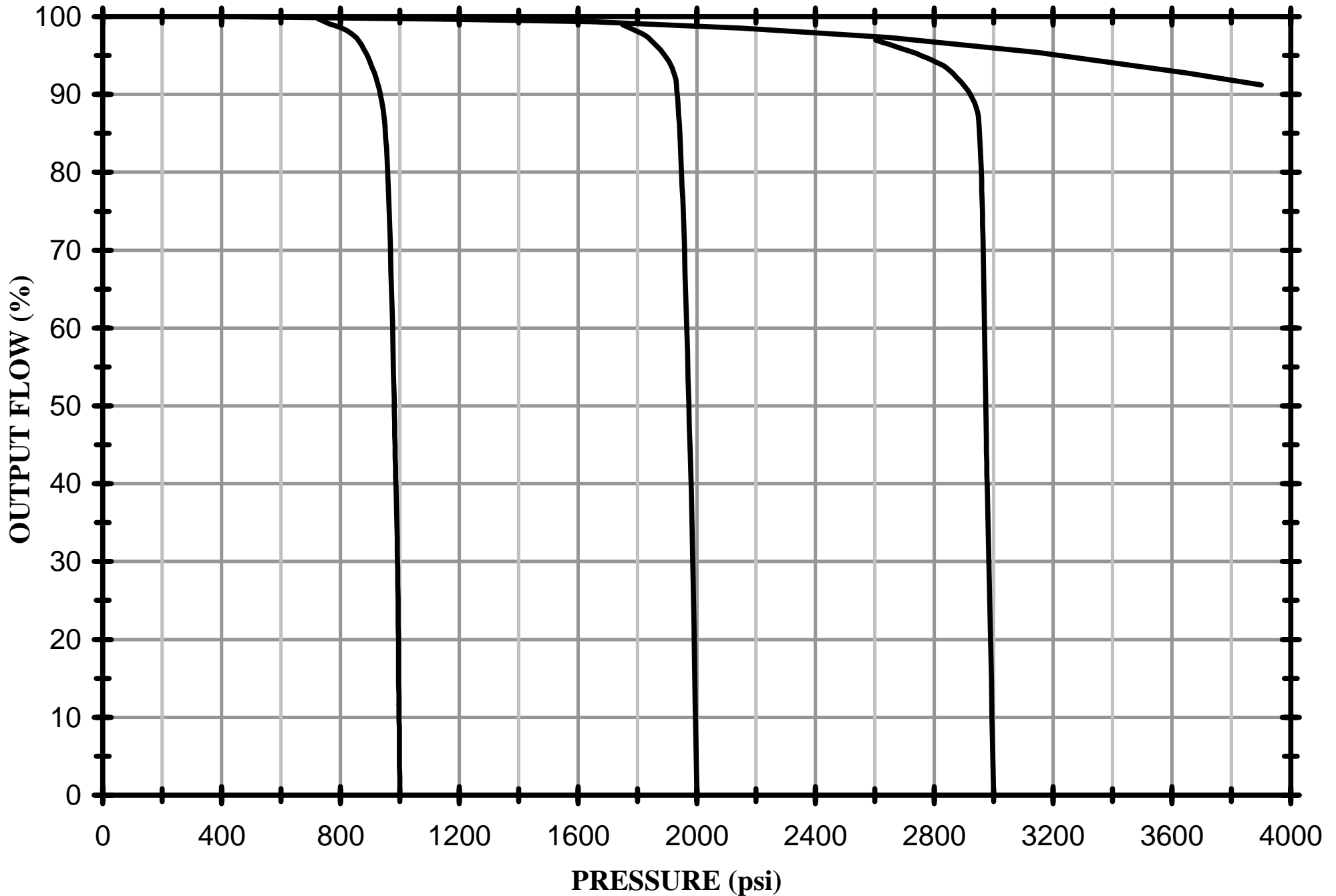
LAYOUT
OF A VENTED
PRESSURE COMPENSATOR

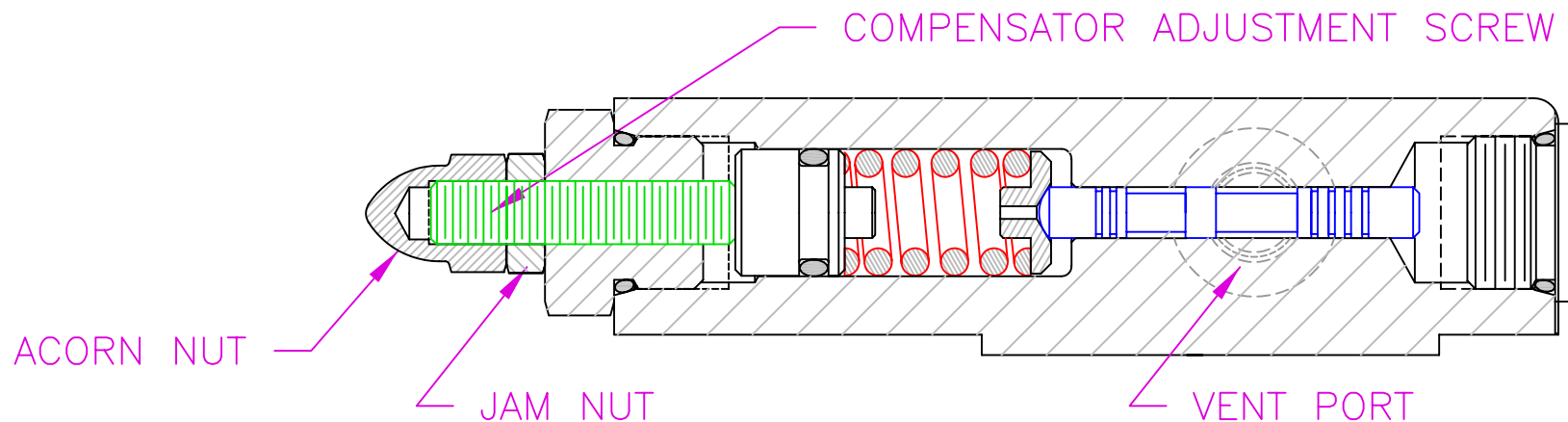
THE INFORMATION CONTAINED HEREIN IS THE PROPERTY OF HARTMANN CONTROLS INC., AND IS NOT TO BE USED IN A MANNER DETRIMENTAL TO HARTMANN CONTROLS INC.

DWG NO: 52319LAY



**STANDARD PRESSURE-COMPENSATED PERFORMANCE OF A
VARIABLE DISPLACEMENT PISTON PUMP; ISO 32 OIL @ 115° F**





1. CLOSE TIGHTLY THE VENT PORT
2. UNJAM ACORN NUT AND REMOVE IT COMPLETELY
3. INSERT ALLEN WRENCH INTO SCREW HEAD
4. HOLDING TIGHT THE ALLEN WRENCH, UNLOCK THE JAM NUT
5. WATCHING THE PRESSURE GAUGE TURN ALLEN WRENCH GENTLY IN INCREMENTS OF LESS THAN 45°:
 - A. CLOCKWISE TURN INCREASES PRESSURE SETTING
 - B. COUNTER-CLOCKWISE TURN DECREASES PRESSURE SETTING
6. WHEN DONE, HOLD ALLEN WRENCH TIGHTLY AND LOCK THE JAM NUT
7. COVER THE SCREW WITH ACORN NUT AND JAM IT

NOT TO SCALE

THE INFORMATION CONTAINED HEREIN IS THE PROPERTY OF HARTMANN CONTROLS INC., AND IS NOT TO BE USED IN A MANNER DETRIMENTAL TO HARTMANN CONTROLS INC.

DWG NO: 52319ADJST

TITLE: PRESSURE ADJUSTMENT
OF A VENTED
PRESSURE COMPENSATOR



CONTROLS INC.