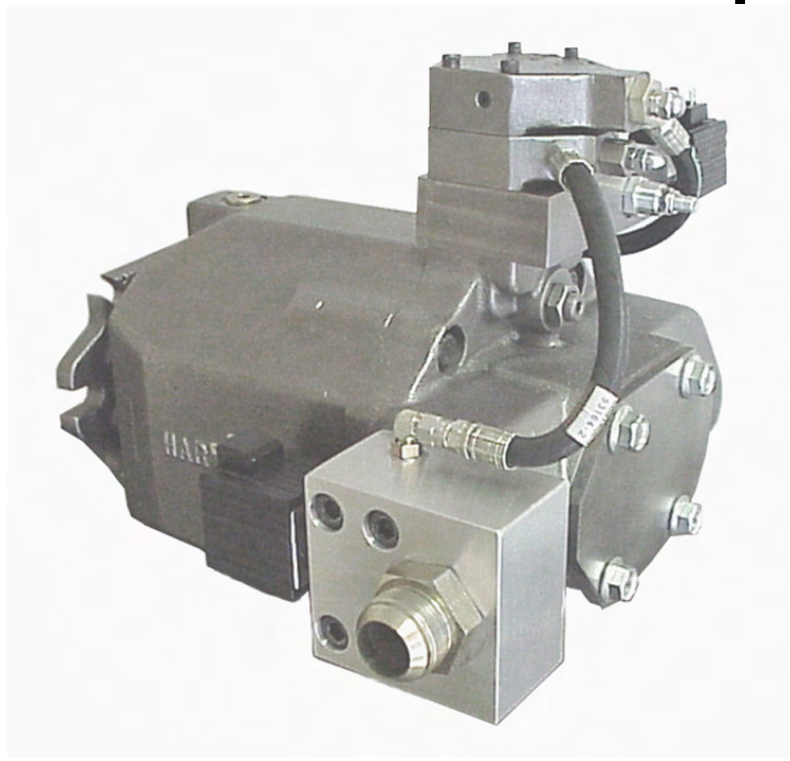
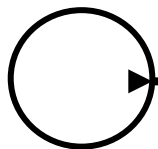




# TQ, Stack Control Torque Limiter for PVX Series Pumps



*Hydraulic pumps & motors with a **hart of gold**™*



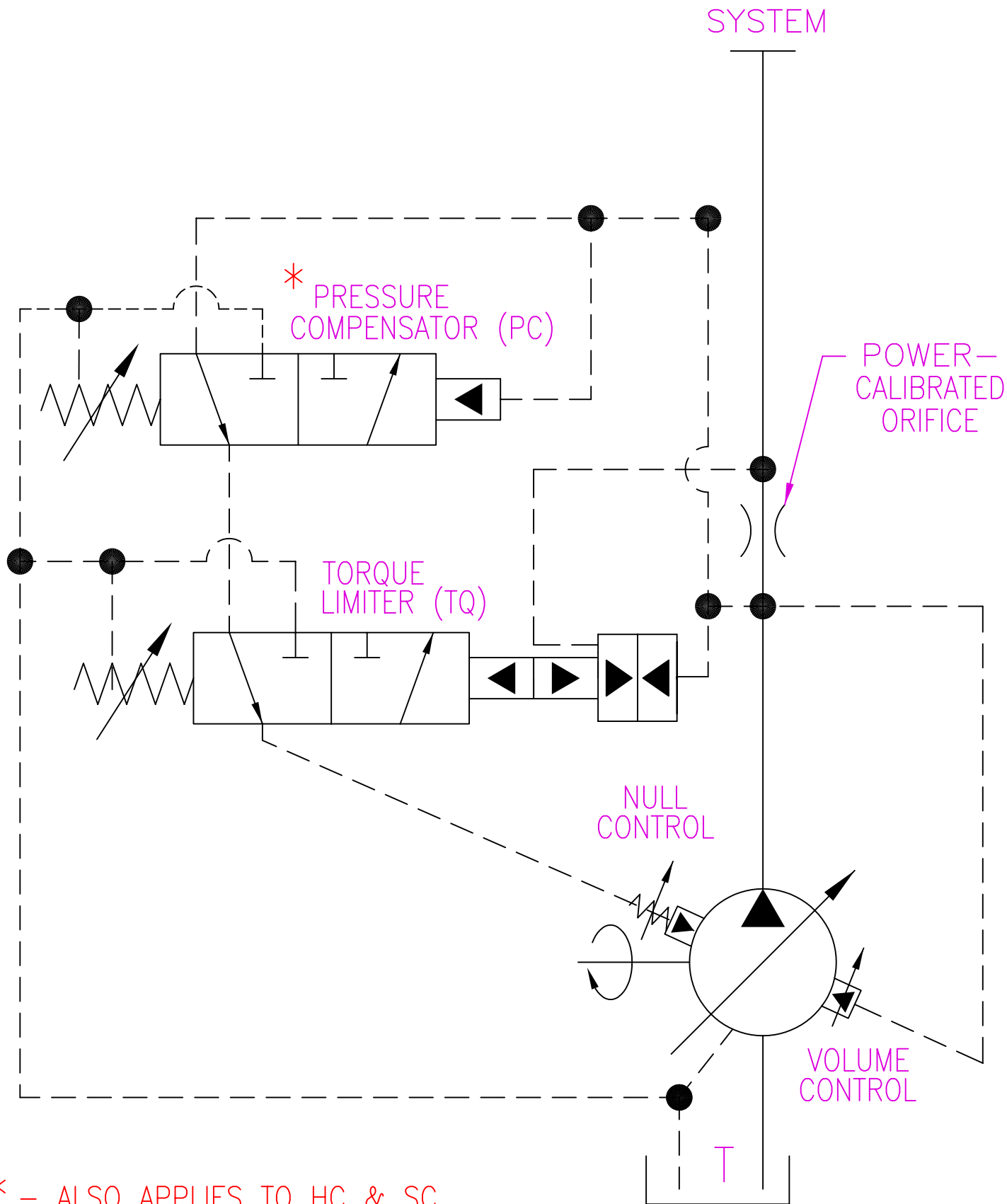
**604 PROGRESS DRIVE, HARTLAND, WI 53029  
USA**

**Phone: (262) 367-4299**

**URL: [www.hartmanncontrols.com](http://www.hartmanncontrols.com)**

**FAX: (262) 367-5645**

**E-mail: [sales@hartmanncontrols.com](mailto:sales@hartmanncontrols.com)**



\* - ALSO APPLIES TO HC & SC

NOT TO SCALE

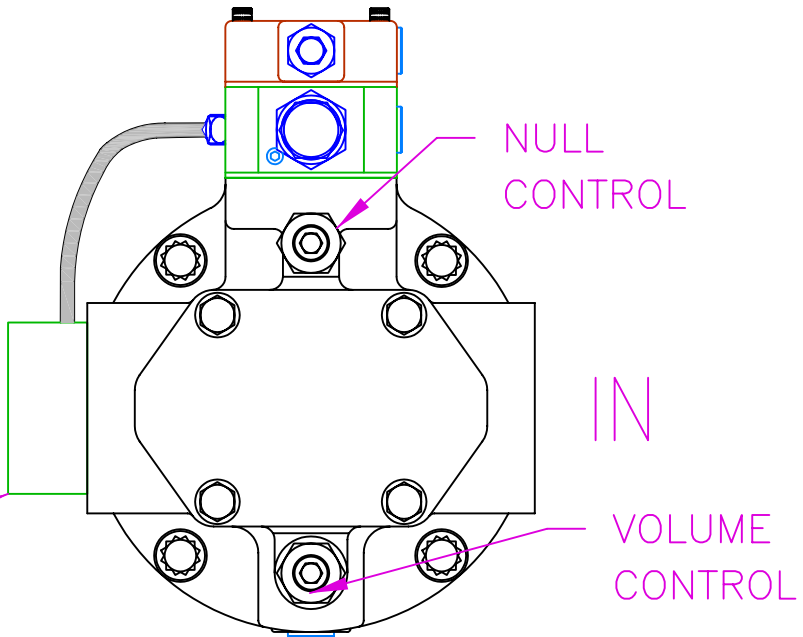
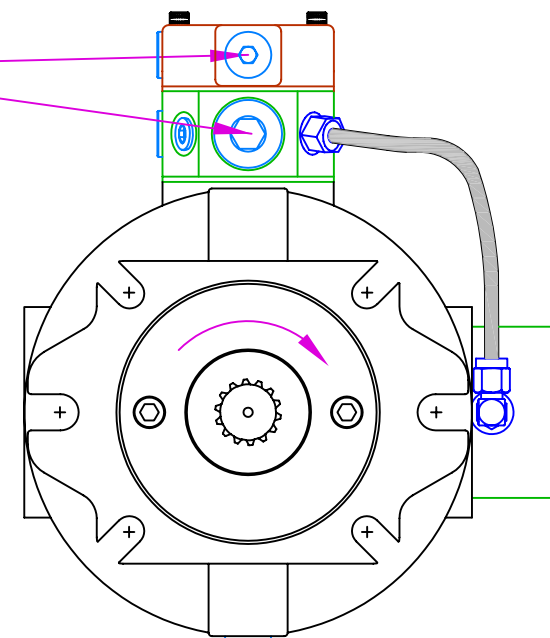
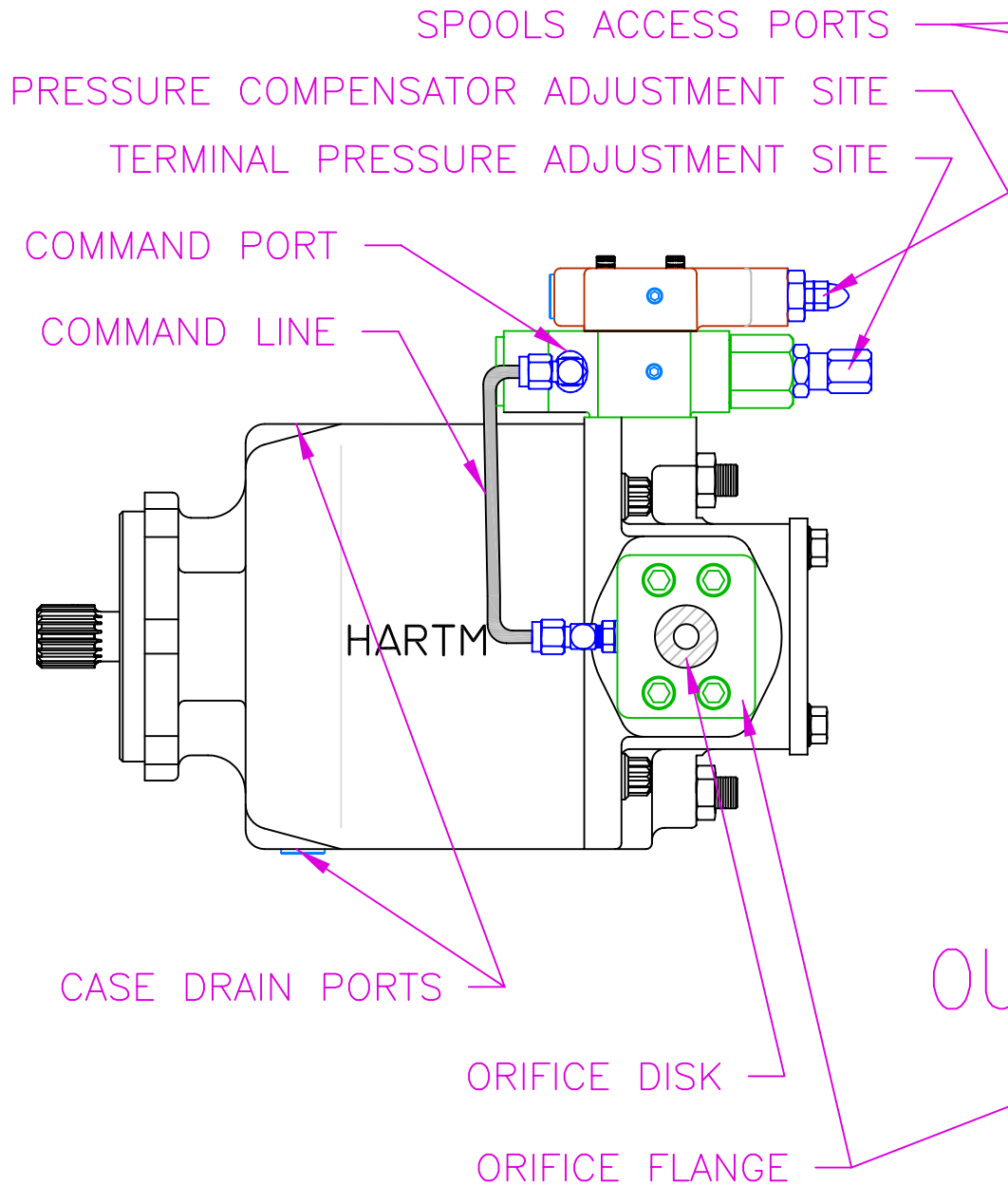
THE INFORMATION CONTAINED HEREIN IS THE PROPERTY OF HARTMANN CONTROLS INC., AND IS NOT TO BE USED IN A MANNER DETRIMENTAL TO HARTMANN CONTROLS INC.

DWG: SCMPCTQ

TITLE: TORQUE LIMITER AND PRESSURE COMPENSATOR

**HARTMANN**  
CONTROLS INC.

604 PROGRESS DRIVE  
HARTLAND, WI 53029



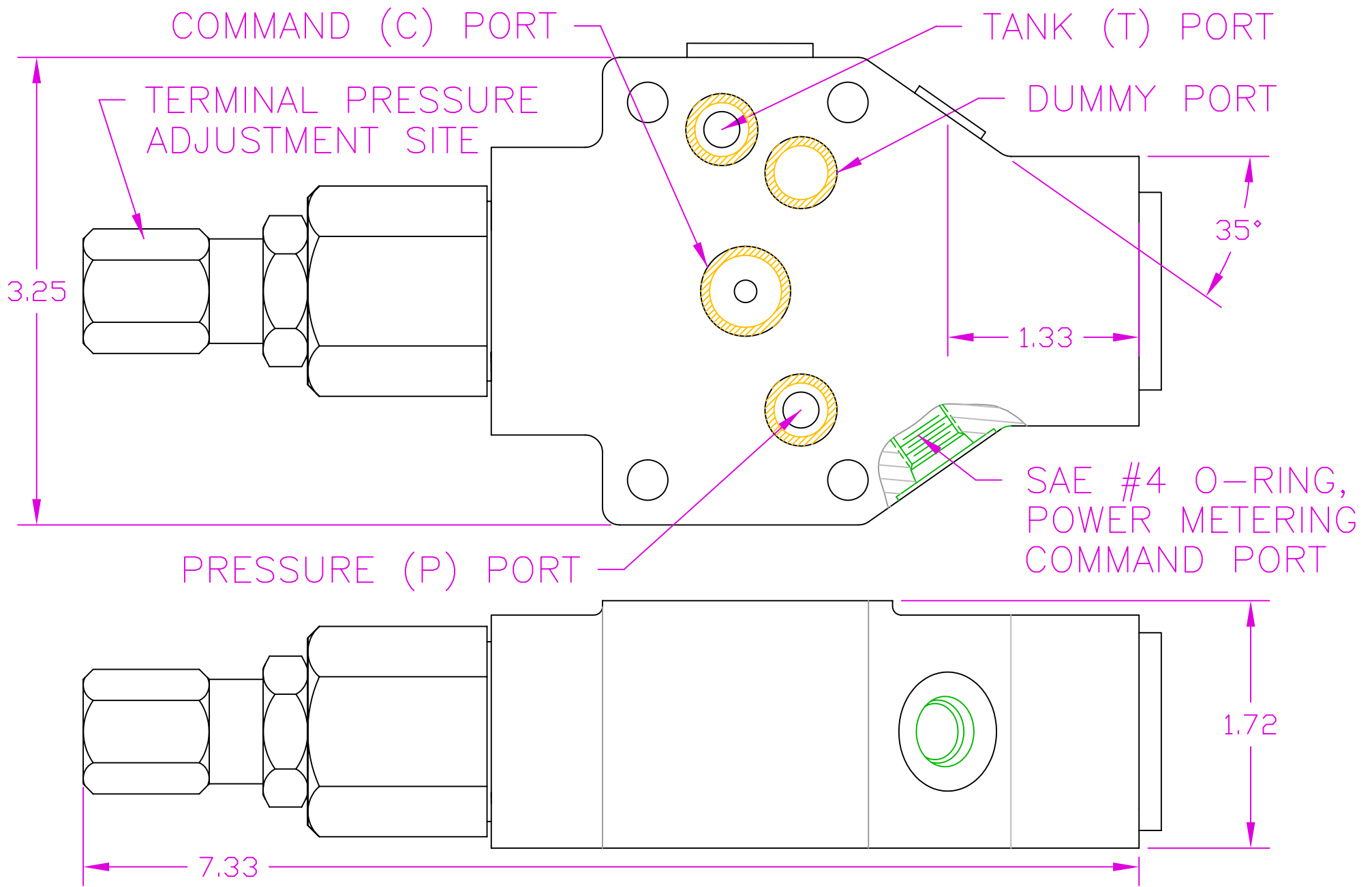
NOT TO SCALE

THE INFORMATION CONTAINED HEREIN IS THE PROPERTY OF HARTMANN CONTROLS INC., AND IS NOT TO BE USED IN A MANNER DETRIMENTAL TO HARTMANN CONTROLS INC.

DWG NO: PCTQPUMP

TITLE: PVX PUMP WITH A TORQUE LIMITER AND PRESSURE COMPENSATOR





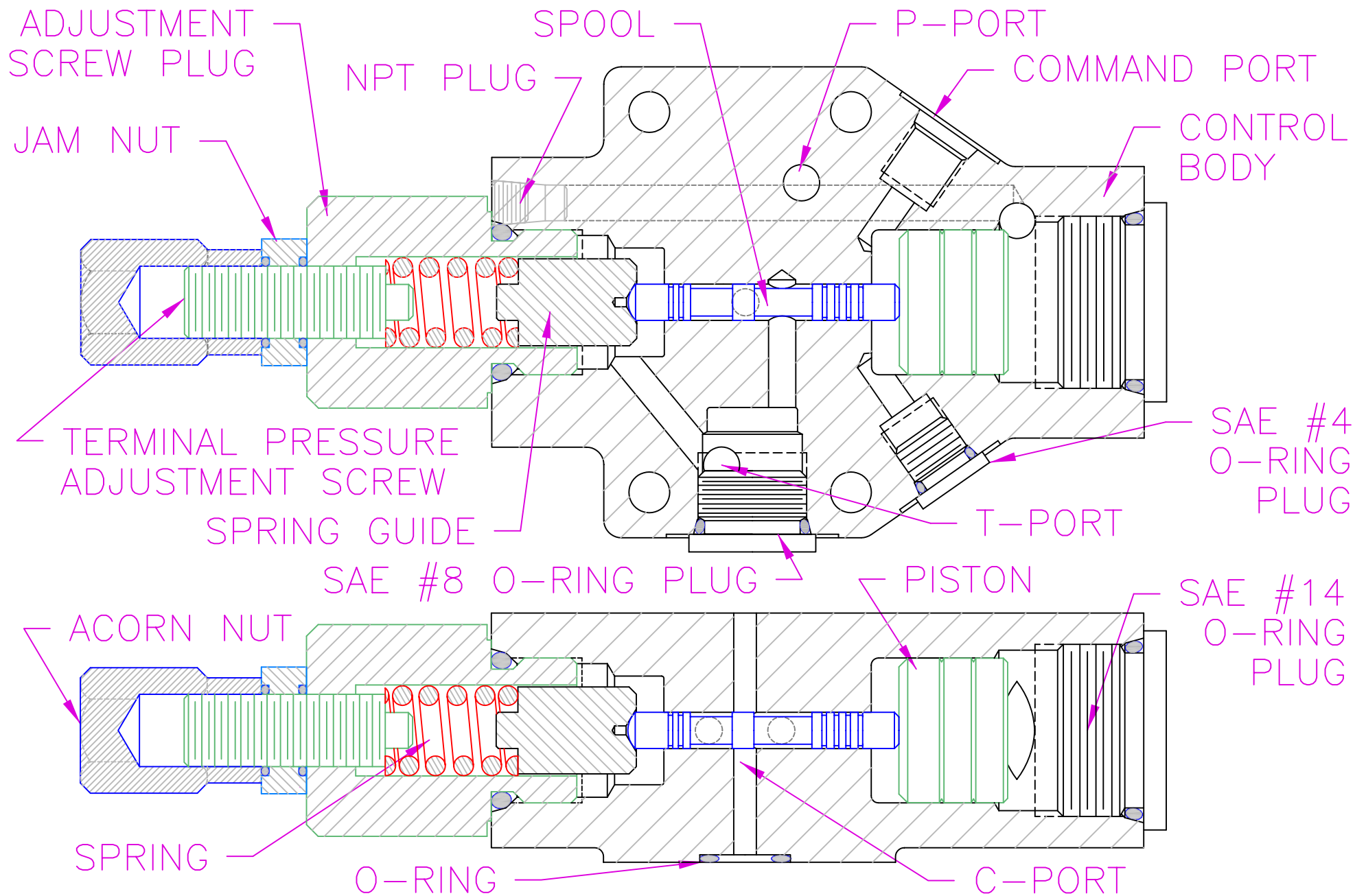
NOT TO SCALE

THE INFORMATION CONTAINED HEREIN IS THE PROPERTY OF HARTMANN CONTROLS INC., AND IS NOT TO BE USED IN A MANNER DETRIMENTAL TO HARTMANN CONTROLS INC.

DWG NO: 52263DIM

TITLE: OUTLINE OF A STACK CONTROL TORQUE LIMITER





NOT TO SCALE

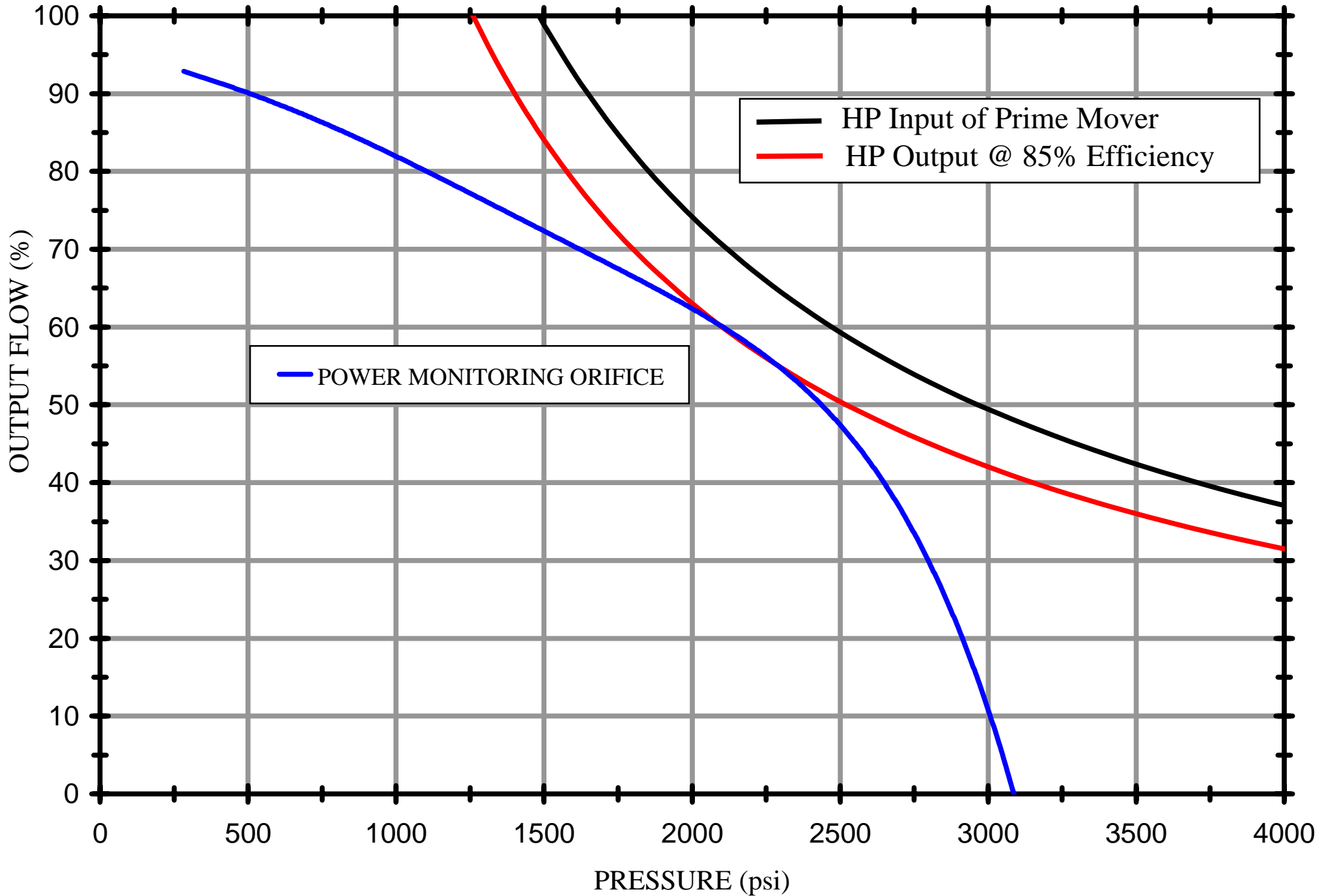
TITLE: LAYOUT OF A  
STACK CONTROL  
TORQUE LIMITER

THE INFORMATION CONTAINED HEREIN IS THE PROPERTY OF  
HARTMANN CONTROLS INC., AND IS NOT TO BE USED IN A  
MANNER DETRIMENTAL TO HARTMANN CONTROLS INC.

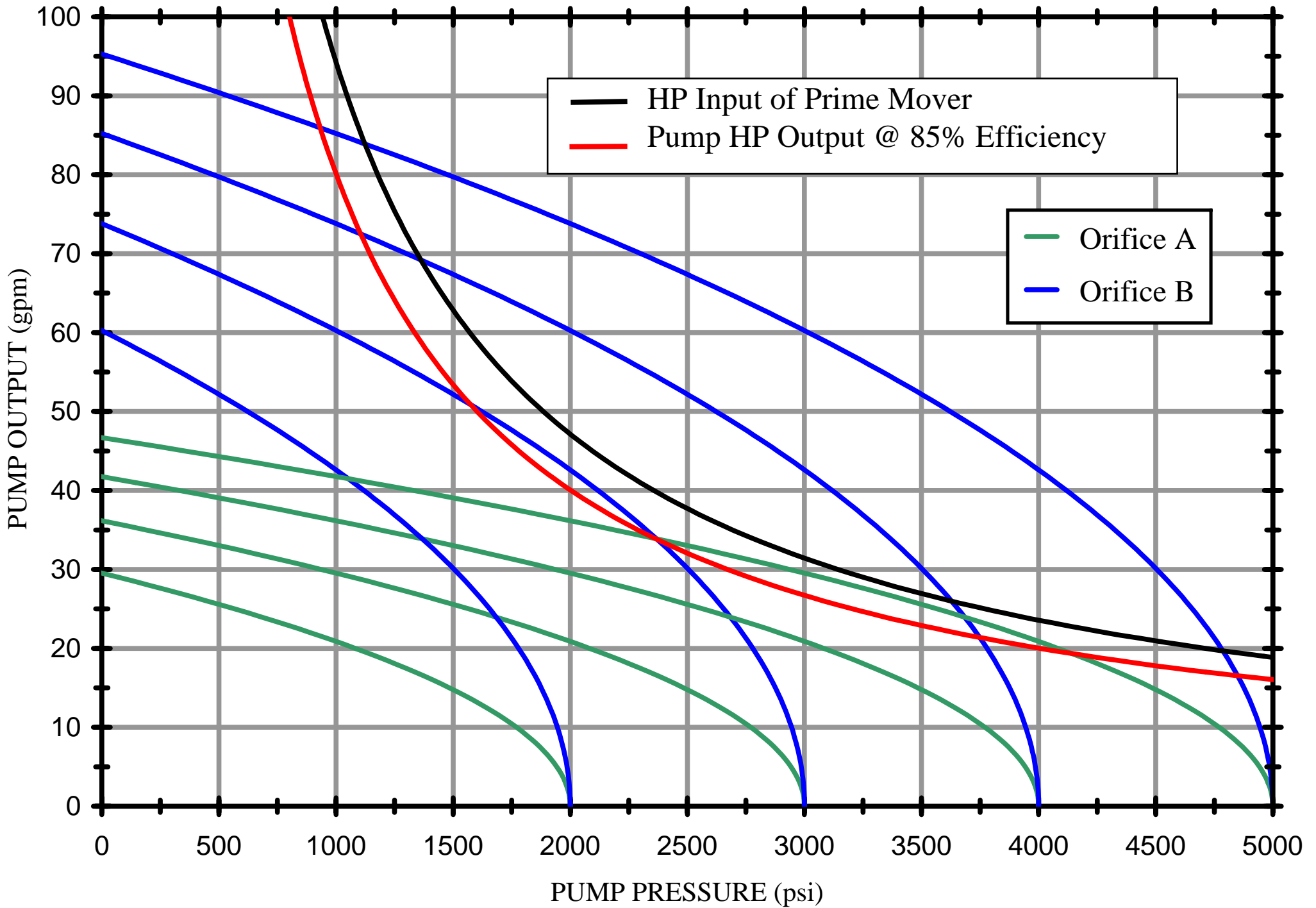
DWG NO: 52263LAY

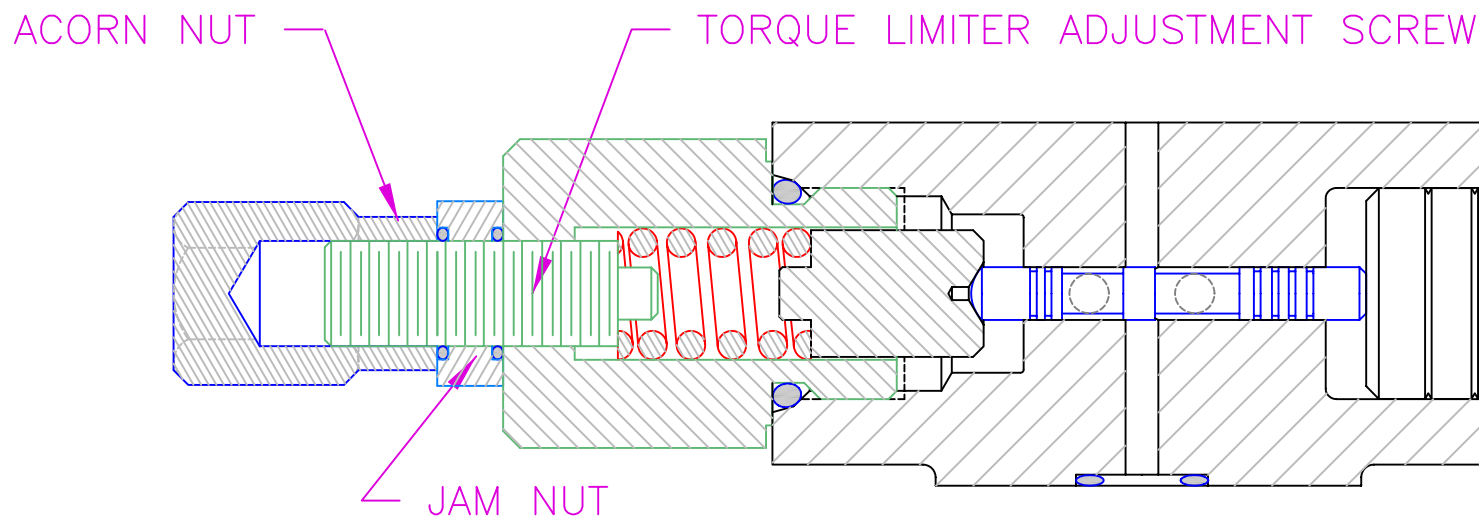


# TORQUE-LIMITED PERFORMANCE OF A VARIABLE DISPLACEMENT AXIAL PISTON PUMP; ISO 32 OIL @ 115°F



# TORQUE-LIMITED RESPONSE OF A VARIABLE DISPLACEMENT PUMP AT SELECT TERMINAL PRESSURES AND MONITORING ORIFICE SIZES





1. UNJAM ACORN NUT AND REMOVE IT COMPLETELY
2. INSERT ALLEN WRENCH INTO SCREW HEAD
3. HOLDING TIGHT THE ALLEN WRENCH, UNLOCK THE JAM NUT
4. WATCHING THE PRESSURE GAUGE TURN ALLEN WRENCH GENTLY IN INCREMENTS OF LESS THAN 45°:
  - A. CLOCKWISE TURN INCREASES PRESSURE SETTING
  - B. COUNTER-CLOCKWISE TURN DECREASES PRESSURE SETTING
5. WHEN DONE, HOLD ALLEN WRENCH TIGHTLY AND LOCK THE JAM NUT
6. COVER THE SCREW WITH ACORN NUT AND JAM IT

NOT TO SCALE

THE INFORMATION CONTAINED HEREIN IS THE PROPERTY OF HARTMANN CONTROLS INC., AND IS NOT TO BE USED IN A MANNER DETRIMENTAL TO HARTMANN CONTROLS INC.

DWG NO: 52263ADJUST

TITLE: PRESSURE ADJUSTMENT  
OF A STACK CONTROL  
TORQUE LIMITER

**HARTMANN**  
CONTROLS INC.  
604 PROGRESS DRIVE  
HARTLAND, WI 53029