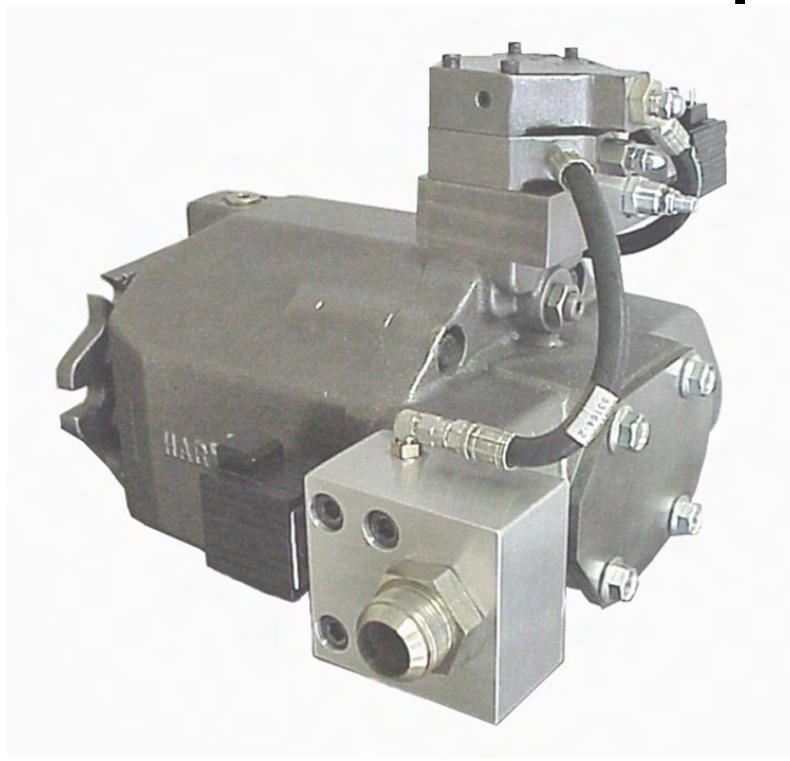
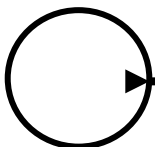




RC, Remote Control Pressure Compensator for PVX Series Pumps



*Hydraulic pumps & motors with a **hart of gold**™*



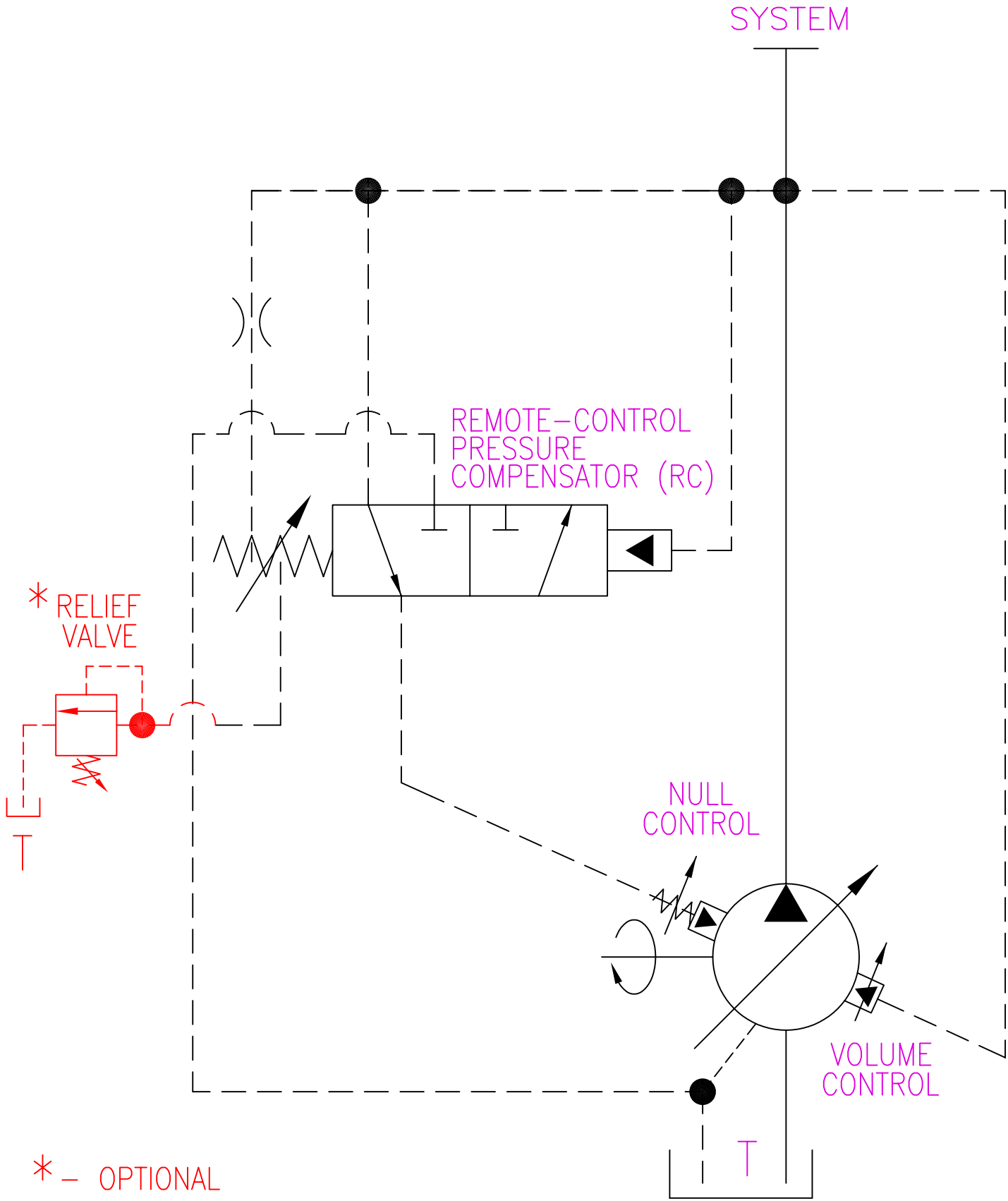
**604 PROGRESS DRIVE, HARTLAND, WI 53029
USA**

Phone: (262) 367-4299

URL: www.hartmanncontrols.com

FAX: (262) 367-5645

E-mail: sales@hartmanncontrols.com



NOT TO SCALE

THE INFORMATION CONTAINED HEREIN IS THE PROPERTY OF HARTMANN CONTROLS INC., AND IS NOT TO BE USED IN A MANNER DETRIMENTAL TO HARTMANN CONTROLS INC.

DWG: SCMRC

TITLE: REMOTE-CONTROL PRESSURE COMPENSATOR

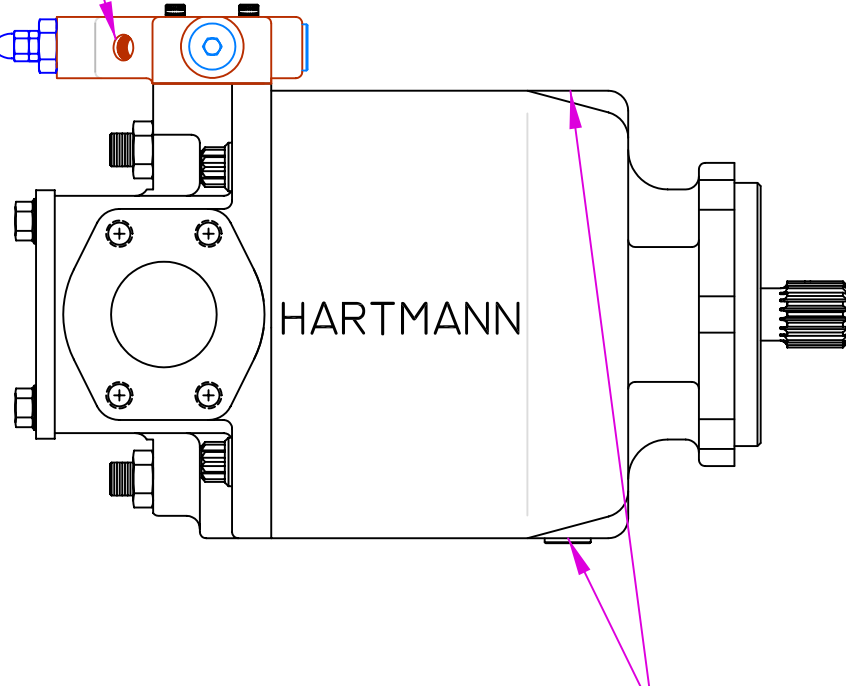
604 PROGRESS DRIVE
HARTLAND, WI 53029

CONTROLS INC.

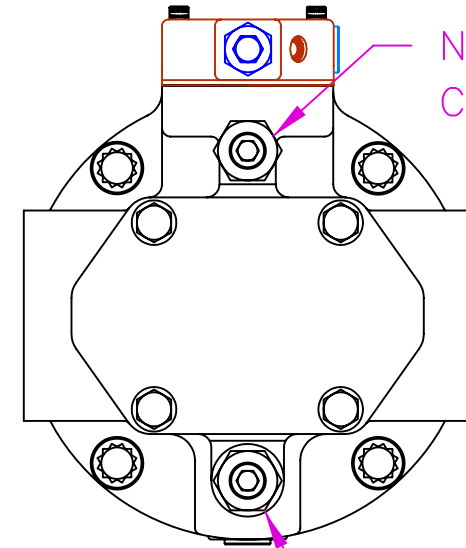
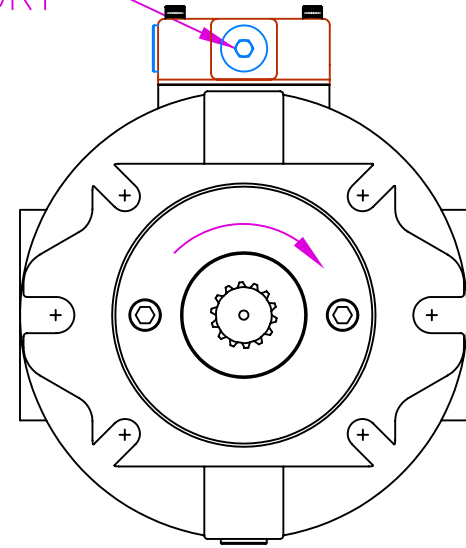
BIAS SPRING SETTING
ADJUSTMENT SITE

REMOTE-CONTROL
COMMAND PORT

SPOOL ACCESS PORT



CASE DRAIN PORTS



NULL
CONTROL

OUT

IN

VOLUME CONTROL

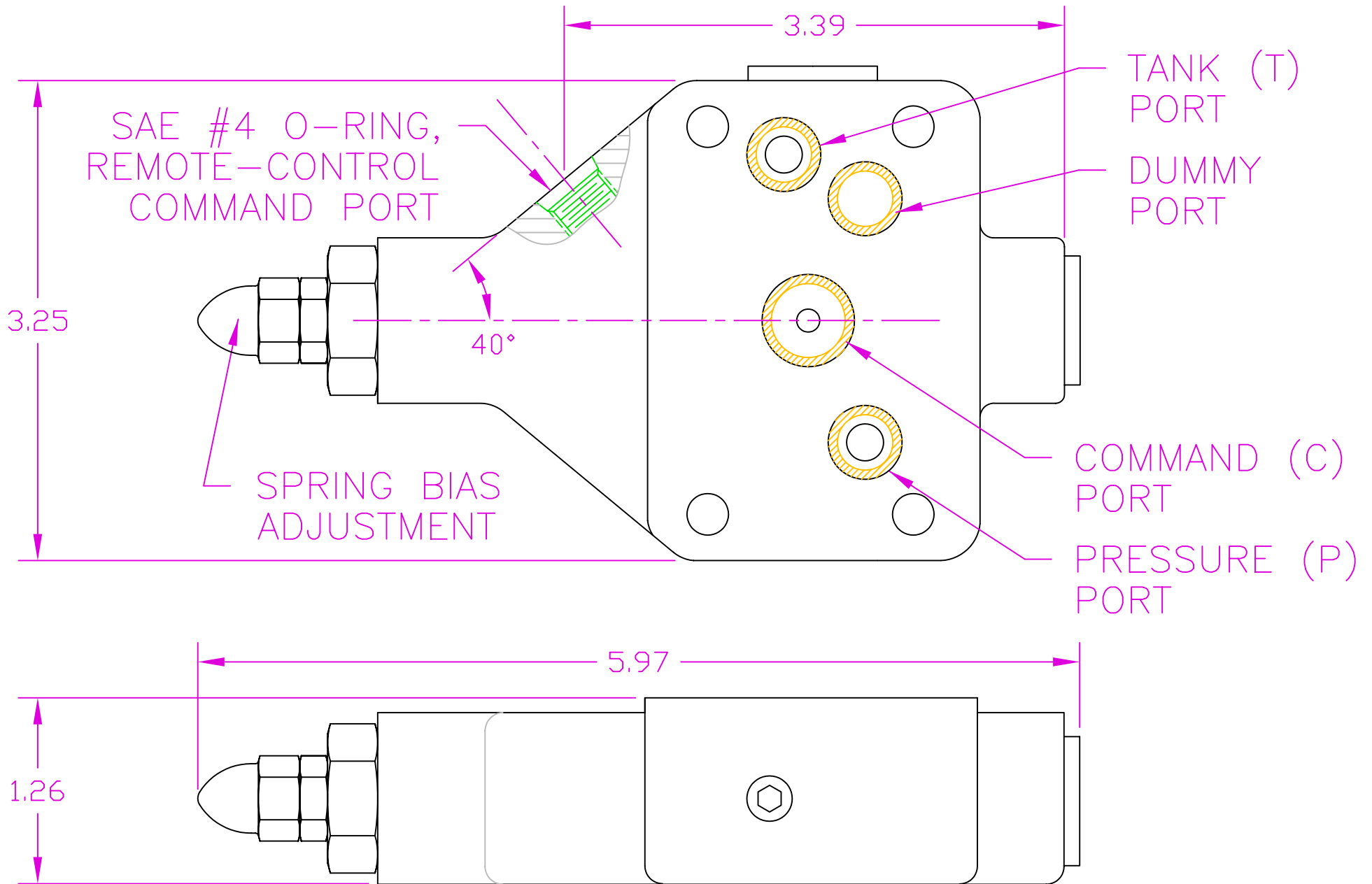
NOT TO SCALE

THE INFORMATION CONTAINED HEREIN IS THE PROPERTY OF
HARTMANN CONTROLS INC., AND IS NOT TO BE USED IN A
MANNER DETRIMENTAL TO HARTMANN CONTROLS INC.

DWG NO: RCPUMP

TITLE: PVX PUMP WITH A
REMOTE-CONTROL
PRESSURE COMPENSATOR





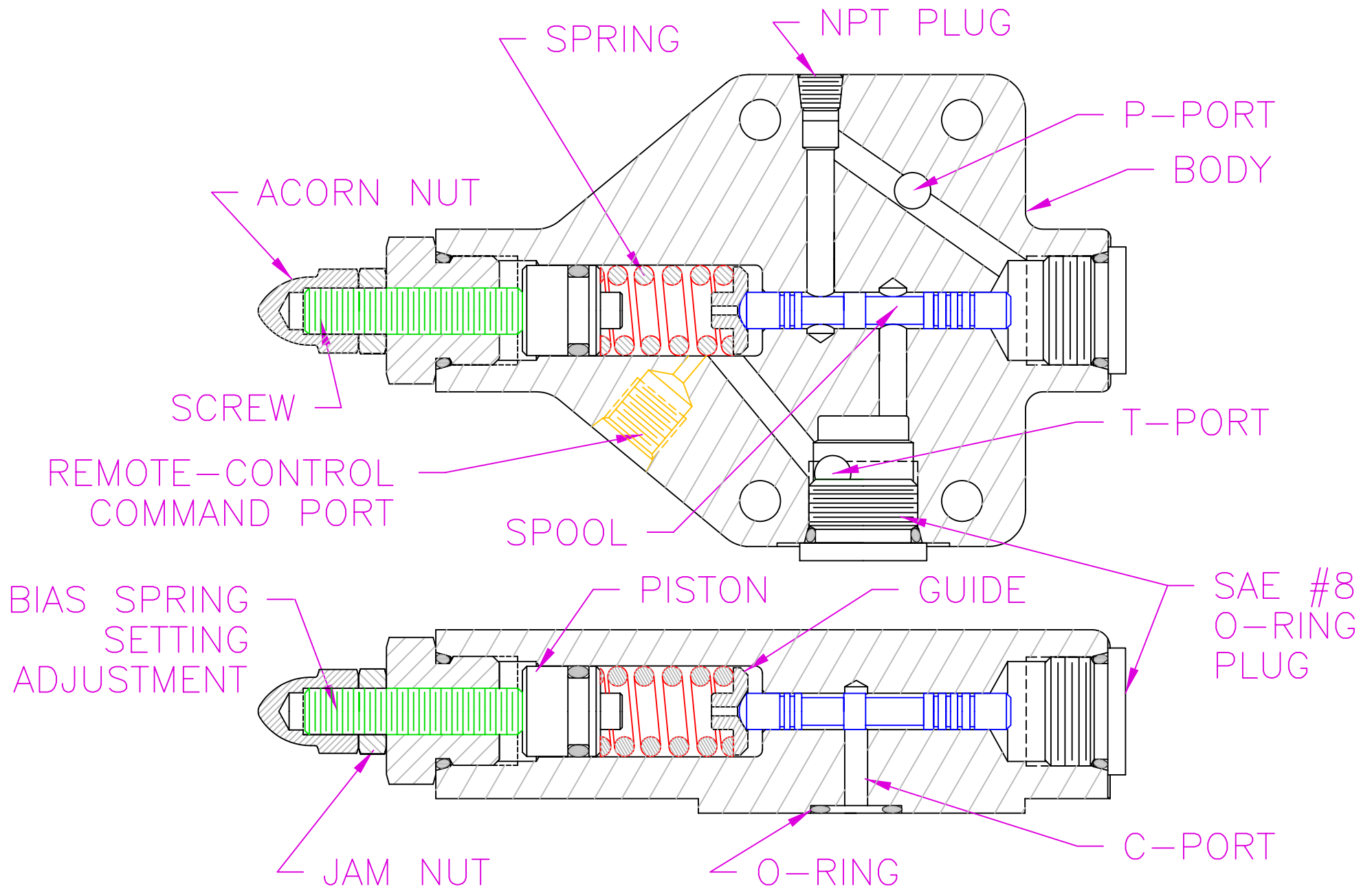
NOT TO SCALE

TITLE: OUTLINE OF A
REMOTE-CONTROL
PRESSURE COMPENSATOR

THE INFORMATION CONTAINED HEREIN IS THE PROPERTY OF
HARTMANN CONTROLS INC., AND IS NOT TO BE USED IN A
MANNER DETRIMENTAL TO HARTMANN CONTROLS INC.

DWG NO: 52127DIM

HARTMANN
CONTROLS INC.
604 PROGRESS DRIVE
HARTLAND, WI 53029



NOT TO SCALE

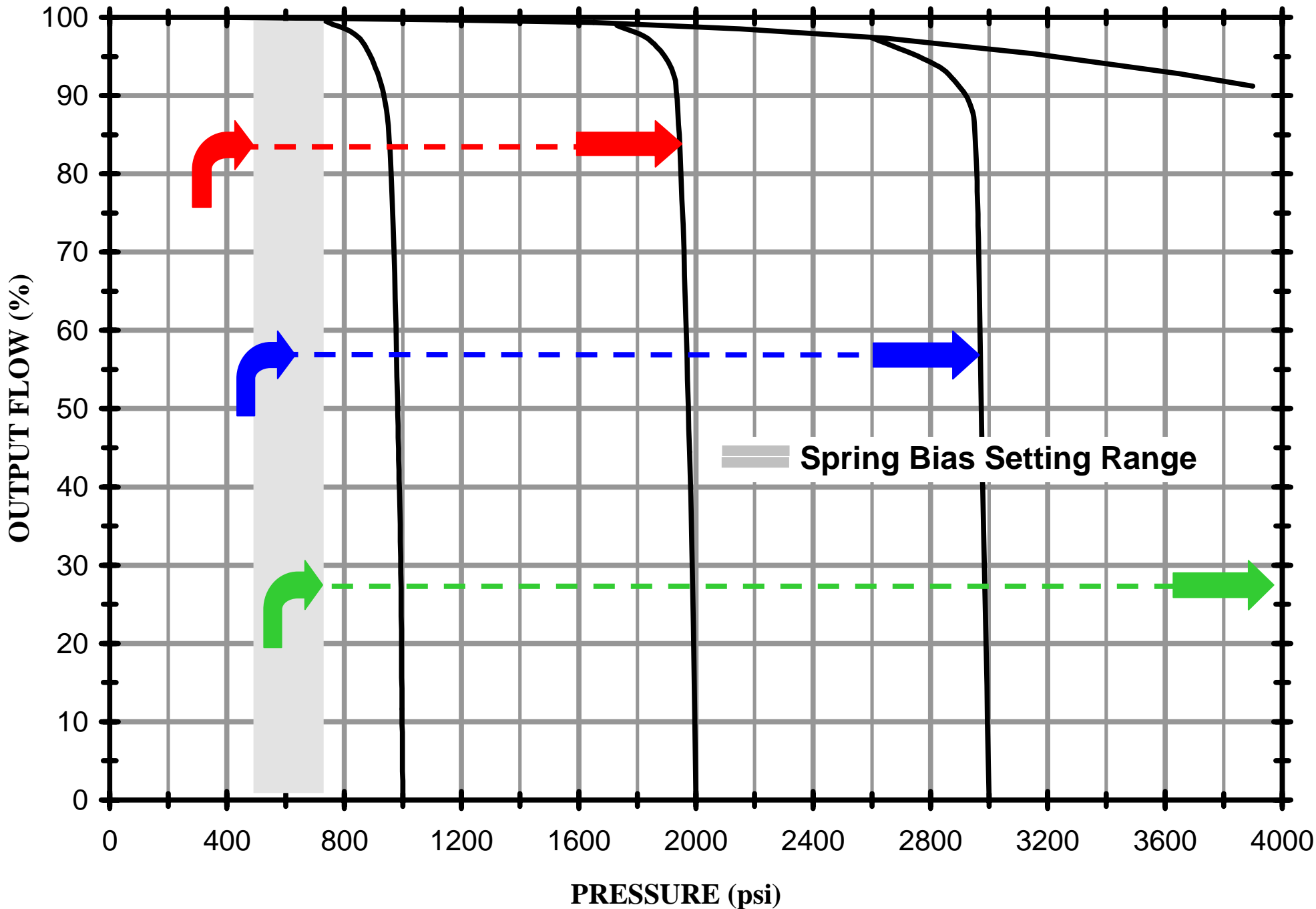
TITLE: LAYOUT OF A
REMOTE-CONTROL
PRESSURE COMPENSATOR

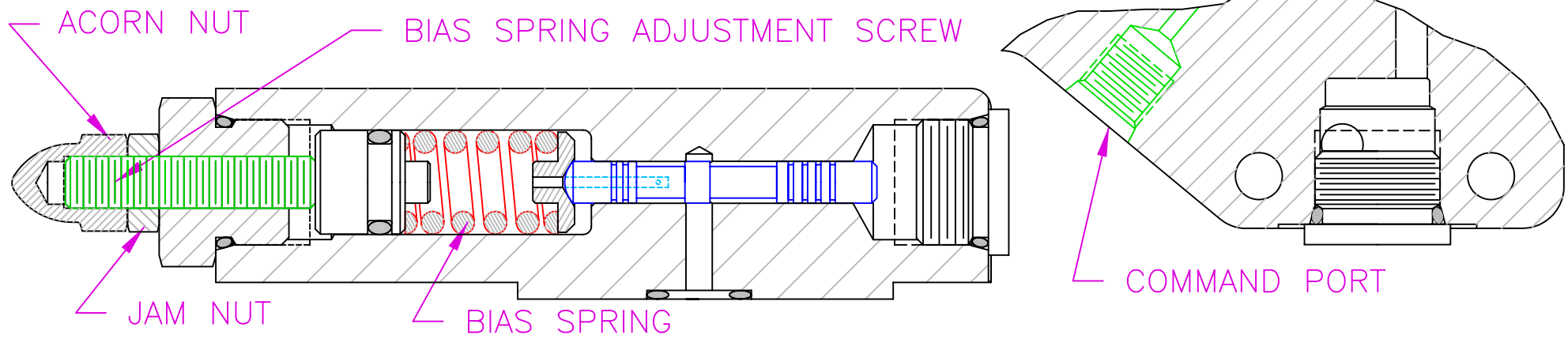
THE INFORMATION CONTAINED HEREIN IS THE PROPERTY OF
HARTMANN CONTROLS INC., AND IS NOT TO BE USED IN A
MANNER DETRIMENTAL TO HARTMANN CONTROLS INC.

DWG NO: 52127LAY



REMOTE-CONTROLLED PRESSURE-COMPENSATED PERFORMANCE OF A VARIABLE DISPLACEMENT PUMP; ISO 32 OIL @ 115° F





1. ALLOW COMMAND PORT TO DISCHARGE WITH NO RESISTANCE TO TANK
2. UNJAM ACORN NUT AND REMOVE IT. INSERT ALLEN WRENCH INTO SCREW HEAD AND HOLDING IT TIGHT UNLOCK THE JAM NUT
3. DEAD-HEAD PUMP WHILE WATCHING THE PRESSURE GAUGE AND GENTLY ADJUSTING BIAS SPRING TENSION TO < 1200 PSI !!!
 - A. CLOCKWISE TURN INCREASES PRESSURE SETTING
 - B. COUNTER-CLOCKWISE TURN DECREASES PRESSURE SETTING
4. SET BIAS SPRING TENSION ACCORDING TO THE PERFORMANCE CHART
5. HOLDING TIGHT THE ALLEN WRENCH LOCK THE JAM NUT
6. COVER THE SCREW WITH ACORN NUT AND JAM IT
7. RESTORE REGULAR CONNECTION TO THE COMMAND PORT

NOT TO SCALE

TITLE: BIAS ADJUSTMENT
OF A REMOTE-CONTROL
PRESSURE COMPENSATOR

THE INFORMATION CONTAINED HEREIN IS THE PROPERTY OF HARTMANN CONTROLS INC., AND IS NOT TO BE USED IN A MANNER DETRIMENTAL TO HARTMANN CONTROLS INC.

DWG NO: 52127ADJSTMNT

