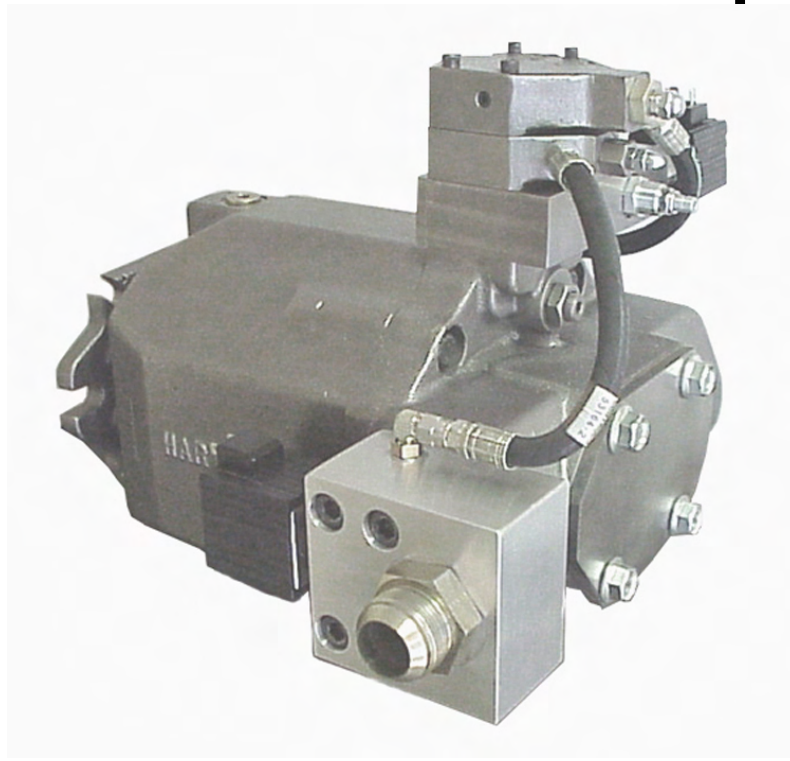


HARTMANN
PUMPS - MOTORS - CONTROLS

LP, 90°-Oriented, Low
Pressure Compensator for
PVX Series Pumps



*Hydraulic pumps & motors with a **hart of gold**™*

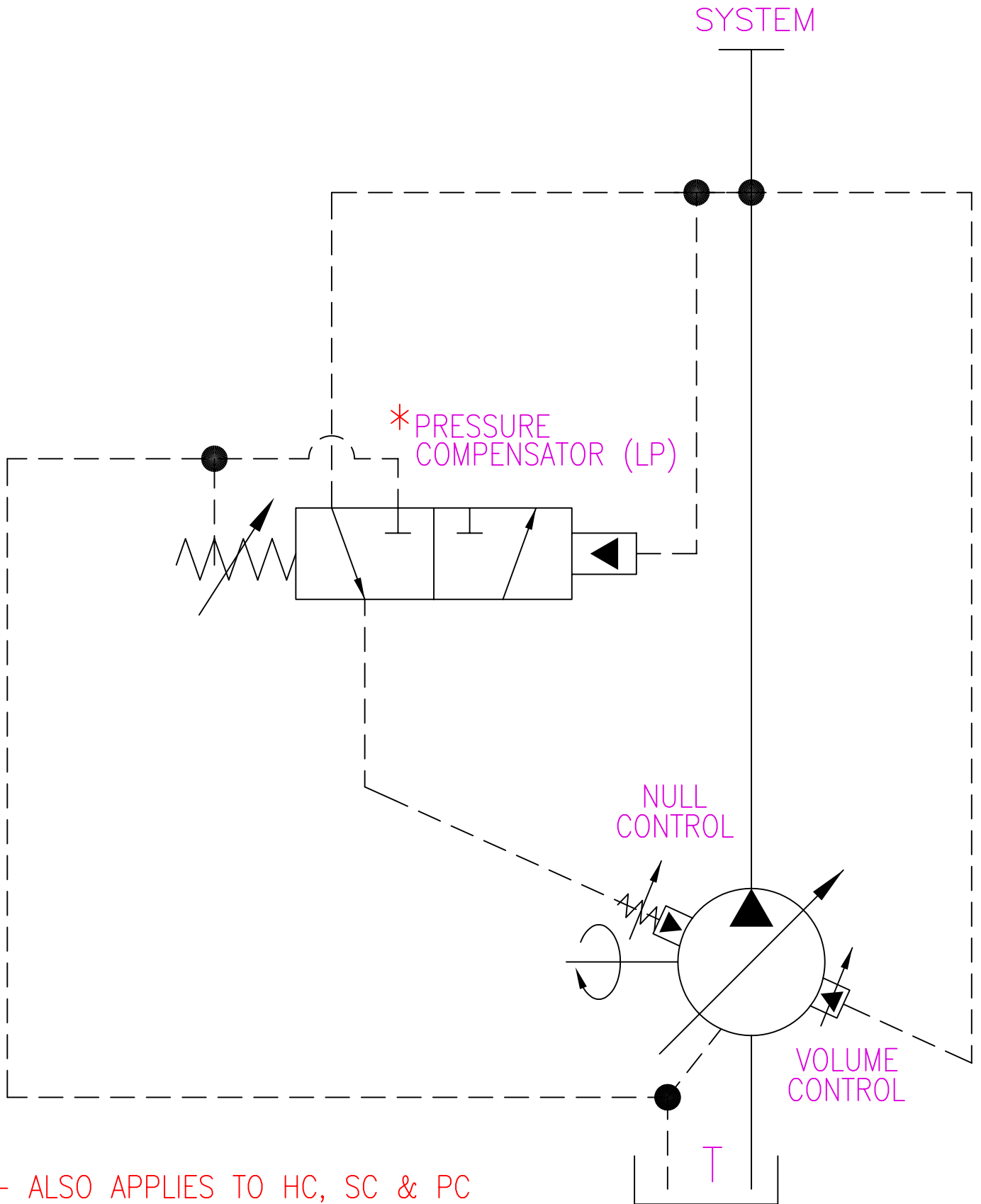
604 PROGRESS DRIVE, HARTLAND, WI 53029
USA

Phone: (262) 367-4299

URL: www.hartmanncontrols.com

FAX: (262) 367-5645

E-mail: sales@hartmanncontrols.com



*- ALSO APPLIES TO HC, SC & PC

NOT TO SCALE

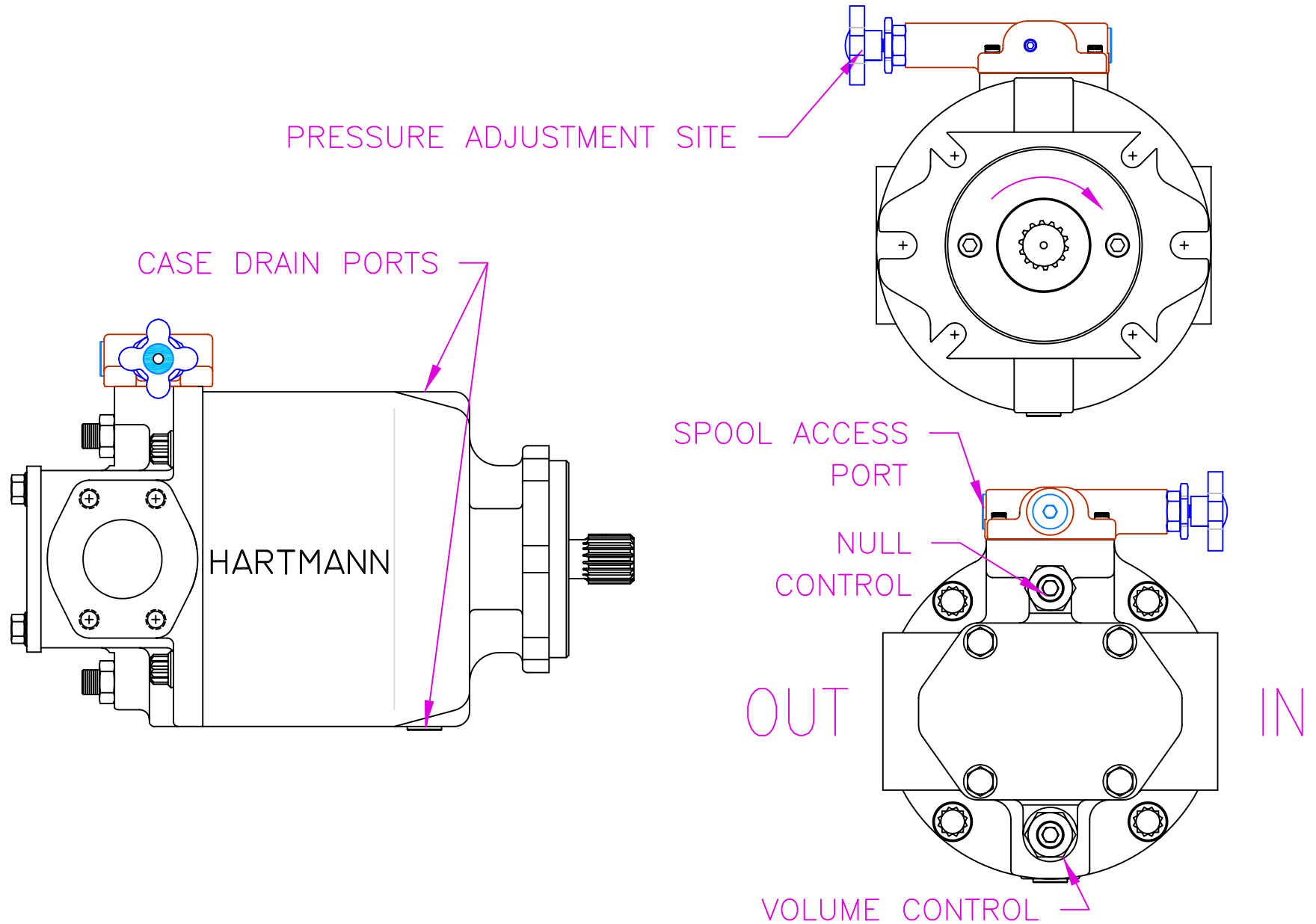
THE INFORMATION CONTAINED HEREIN IS THE PROPERTY OF HARTMANN CONTROLS INC., AND IS NOT TO BE USED IN A MANNER DETRIMENTAL TO HARTMANN CONTROLS INC.

DWG: SCMLP

TITLE: 90°-ORIENTED LOW PRESSURE COMPENSATOR

604 PROGRESS DRIVE
HARTLAND, WI 53029

CONTROLS INC.



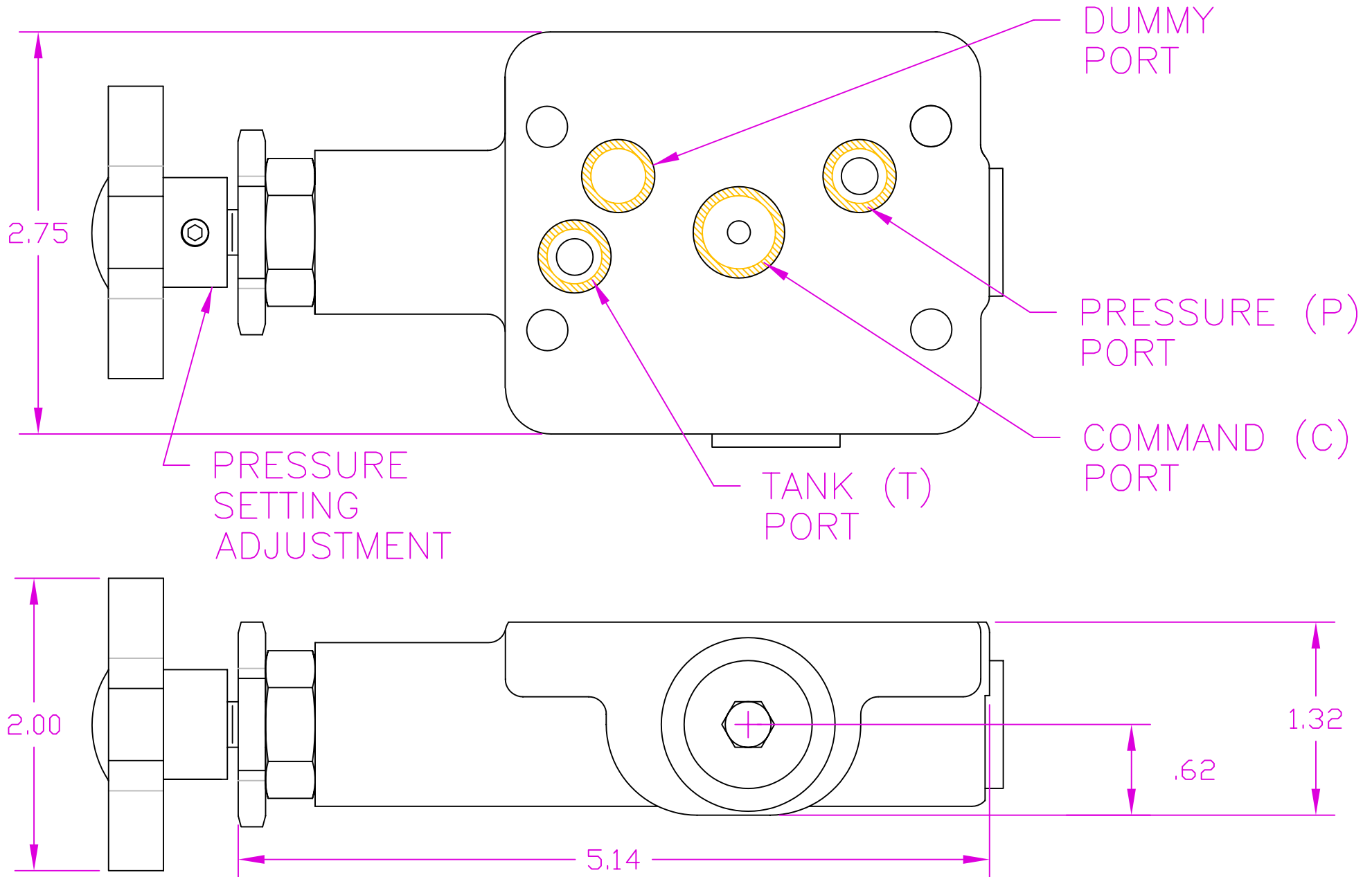
NOT TO SCALE

THE INFORMATION CONTAINED HEREIN IS THE PROPERTY OF HARTMANN CONTROLS INC., AND IS NOT TO BE USED IN A MANNER DETRIMENTAL TO HARTMANN CONTROLS INC.

DWG NO: LPPUMP

TITLE: PVX PUMP WITH A 90°-ORIENTED, LOW PRESSURE COMPENSATOR





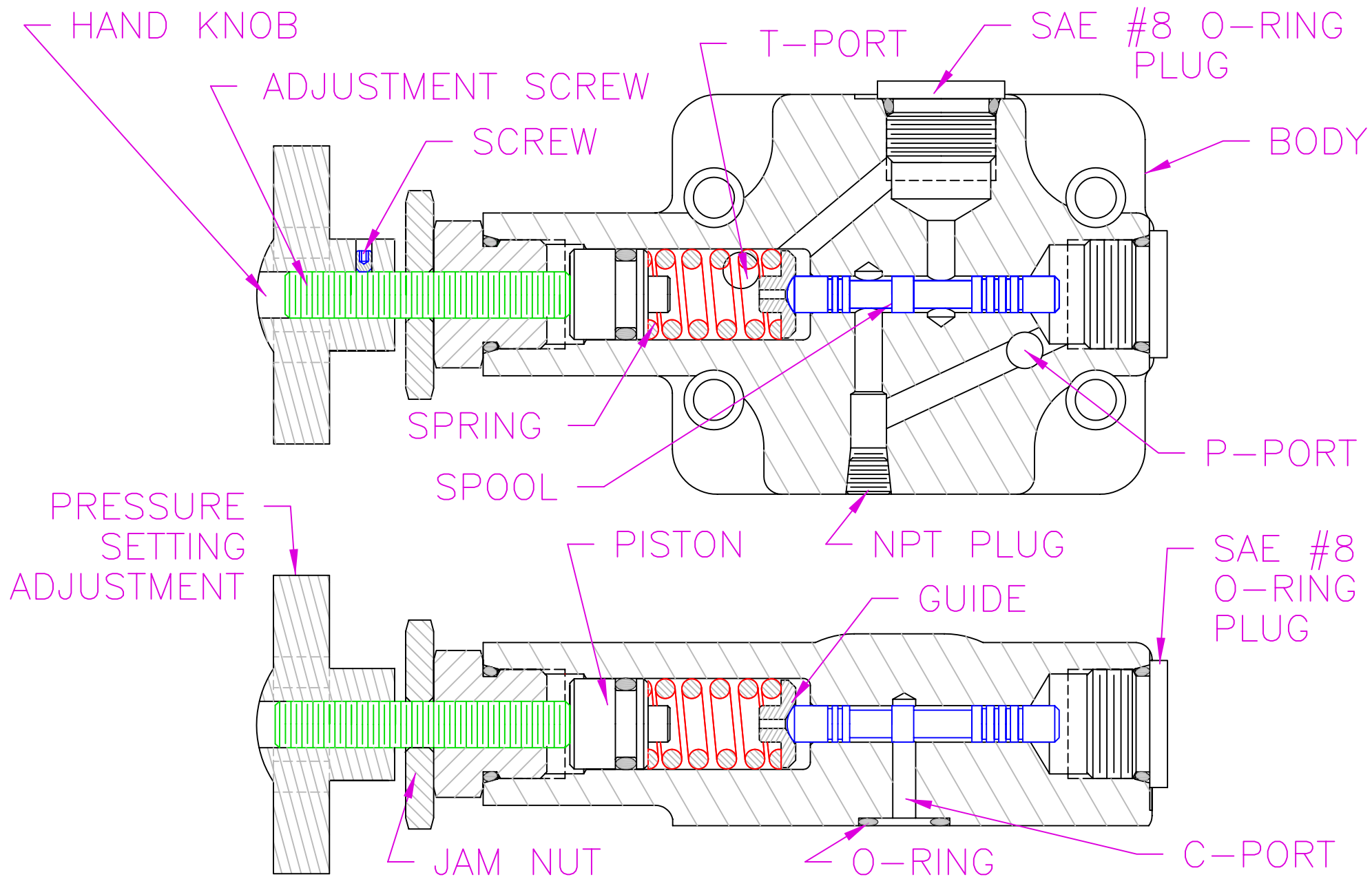
NOT TO SCALE

THE INFORMATION CONTAINED HEREIN IS THE PROPERTY OF HARTMANN CONTROLS INC., AND IS NOT TO BE USED IN A MANNER DETRIMENTAL TO HARTMANN CONTROLS INC.

DWG NO: 52872DIM

TITLE: OUTLINE OF A 90°, LOW PRESSURE COMPENSATOR WITH KNOB ADJUSTMENT





NOT TO SCALE

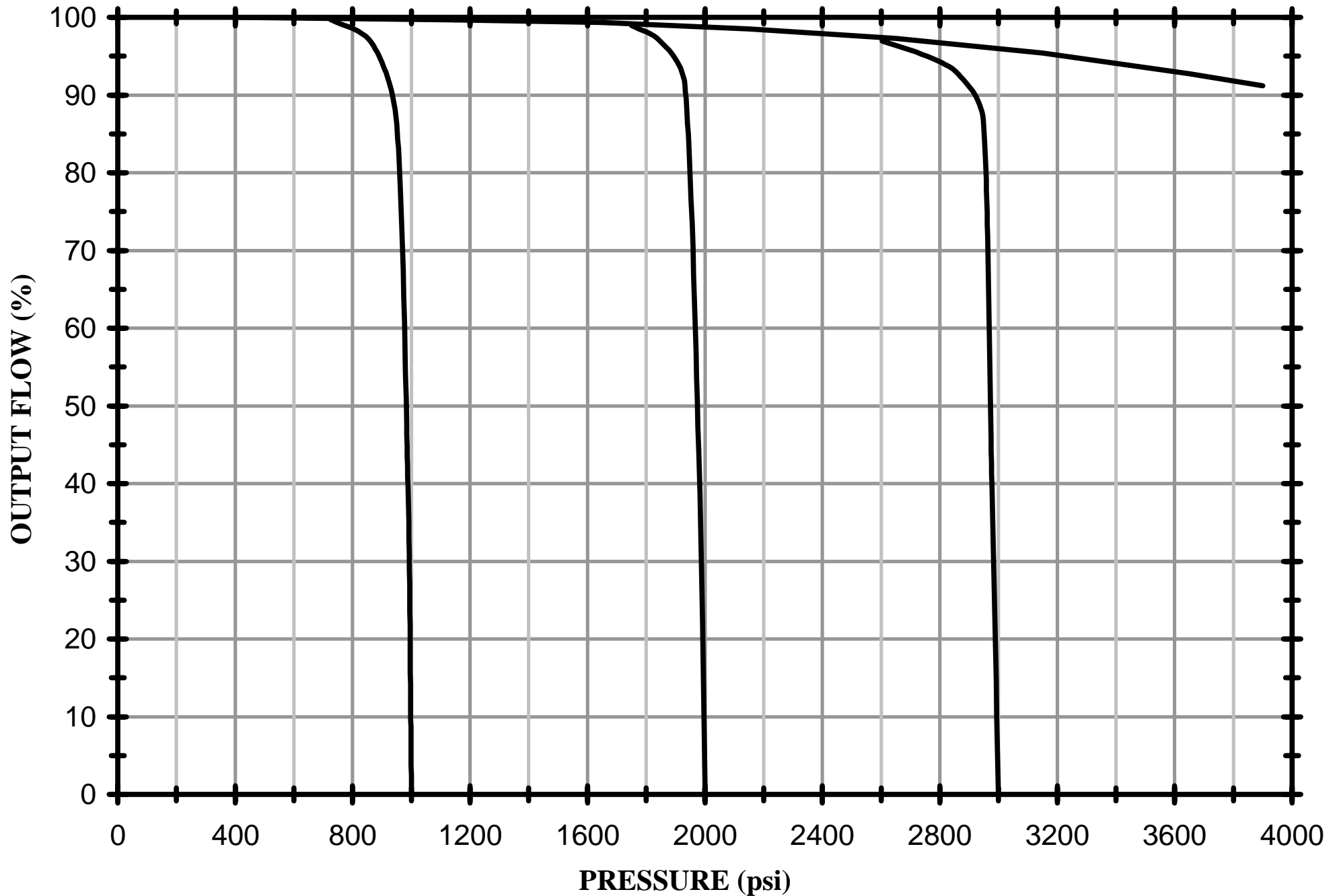
TITLE: LAYOUT OF A 90°, LOW PRESSURE COMPENSATOR WITH KNOB ADJUSTMENT

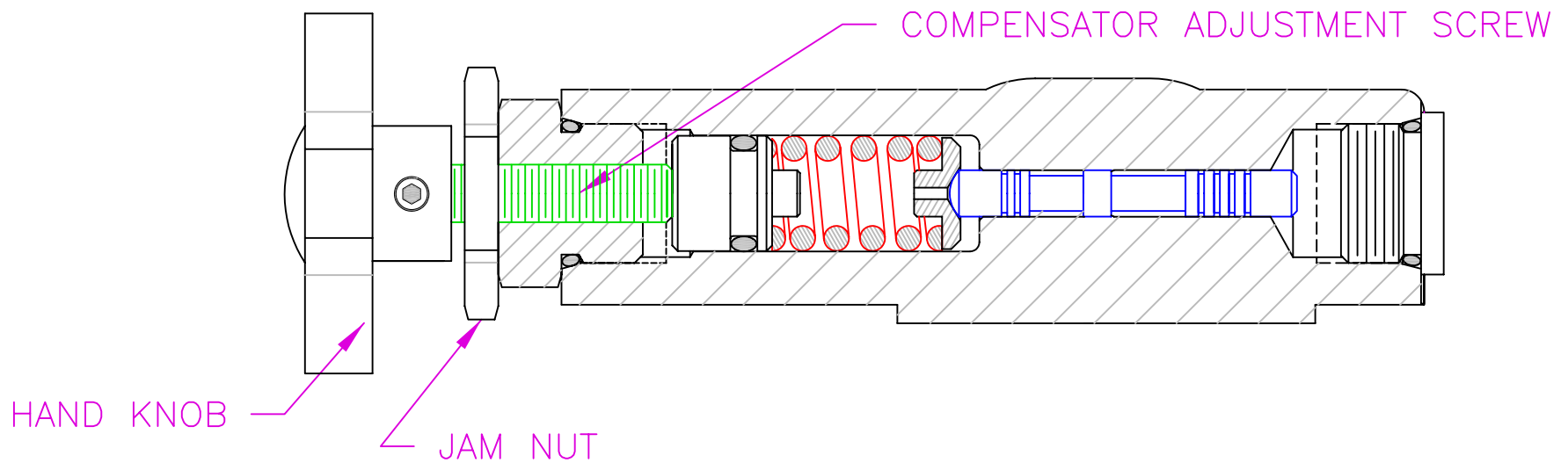
THE INFORMATION CONTAINED HEREIN IS THE PROPERTY OF HARTMANN CONTROLS INC., AND IS NOT TO BE USED IN A MANNER DETRIMENTAL TO HARTMANN CONTROLS INC.

DWG NO: 52872LAY



**STANDARD PRESSURE-COMPENSATED PERFORMANCE OF A
VARIABLE DISPLACEMENT PISTON PUMP; ISO 32 OIL @ 115° F**





1. HOLDING TIGHT THE HAND KNOB, UNLOCK THE JAM NUT
2. WATCHING THE PRESSURE GAUGE TURN HAND KNOB GENTLY IN INCREMENTS OF LESS THAN 45°:
 - A. CLOCKWISE TURN INCREASES PRESSURE SETTING
 - B. COUNTER-CLOCKWISE TURN DECREASES PRESSURE SETTING
3. WHEN DONE, HOLD HAND KNOB TIGHTLY AND LOCK THE JAM NUT

NOT TO SCALE

THE INFORMATION CONTAINED HEREIN IS THE PROPERTY OF HARTMANN CONTROLS INC., AND IS NOT TO BE USED IN A MANNER DETRIMENTAL TO HARTMANN CONTROLS INC.

DWG NO: 52872ADJST

TITLE: PRESSURE ADJUSTMENT
OF A 90°-ORIENTED, LOW
PRESSURE COMPENSATOR

HARTMANN
CONTROLS INC.
604 PROGRESS DRIVE
HARTLAND, WI 53029