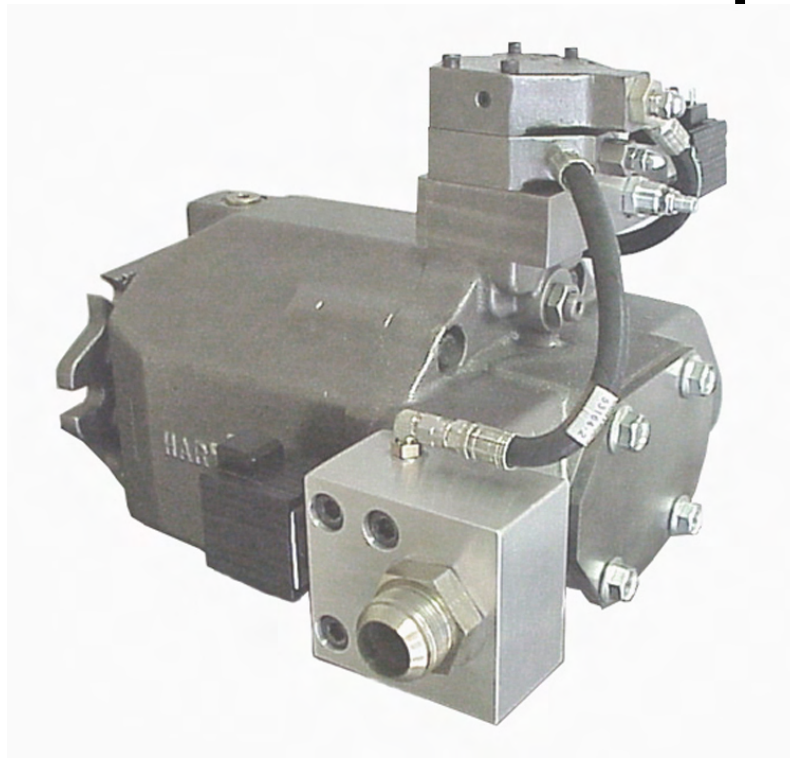
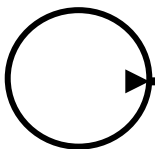


HARTMANN
PUMPS - MOTORS - CONTROLS

FL-FH, Fixed Bias
Flow-Load Sensor for
PVX Series Pumps



*Hydraulic pumps & motors with a **hart of gold**™*



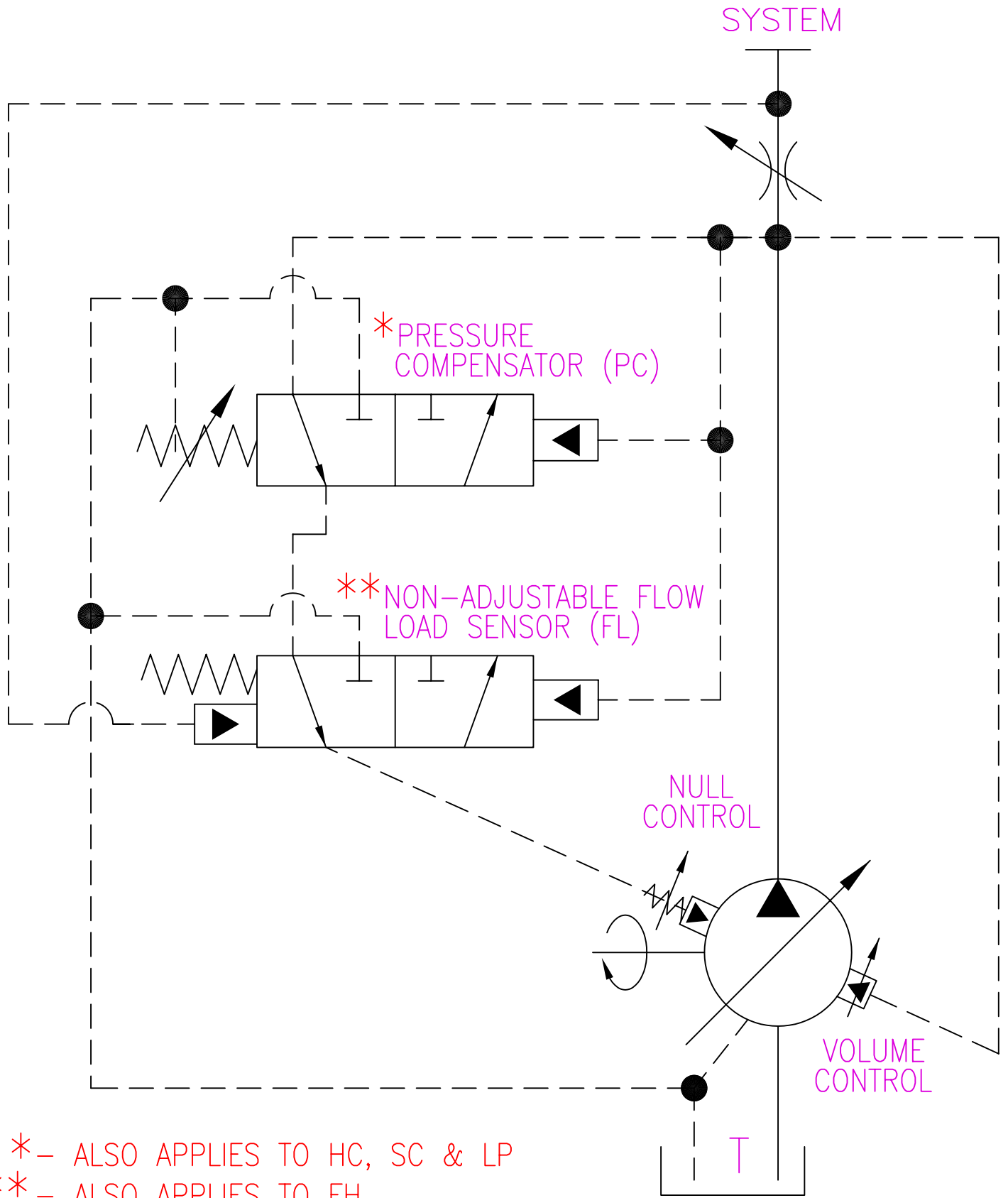
**604 PROGRESS DRIVE, HARTLAND, WI 53029
USA**

Phone: (262) 367-4299

URL: www.hartmanncontrols.com

FAX: (262) 367-5645

E-mail: sales@hartmanncontrols.com



* - ALSO APPLIES TO HC, SC & LP
 ** - ALSO APPLIES TO FH

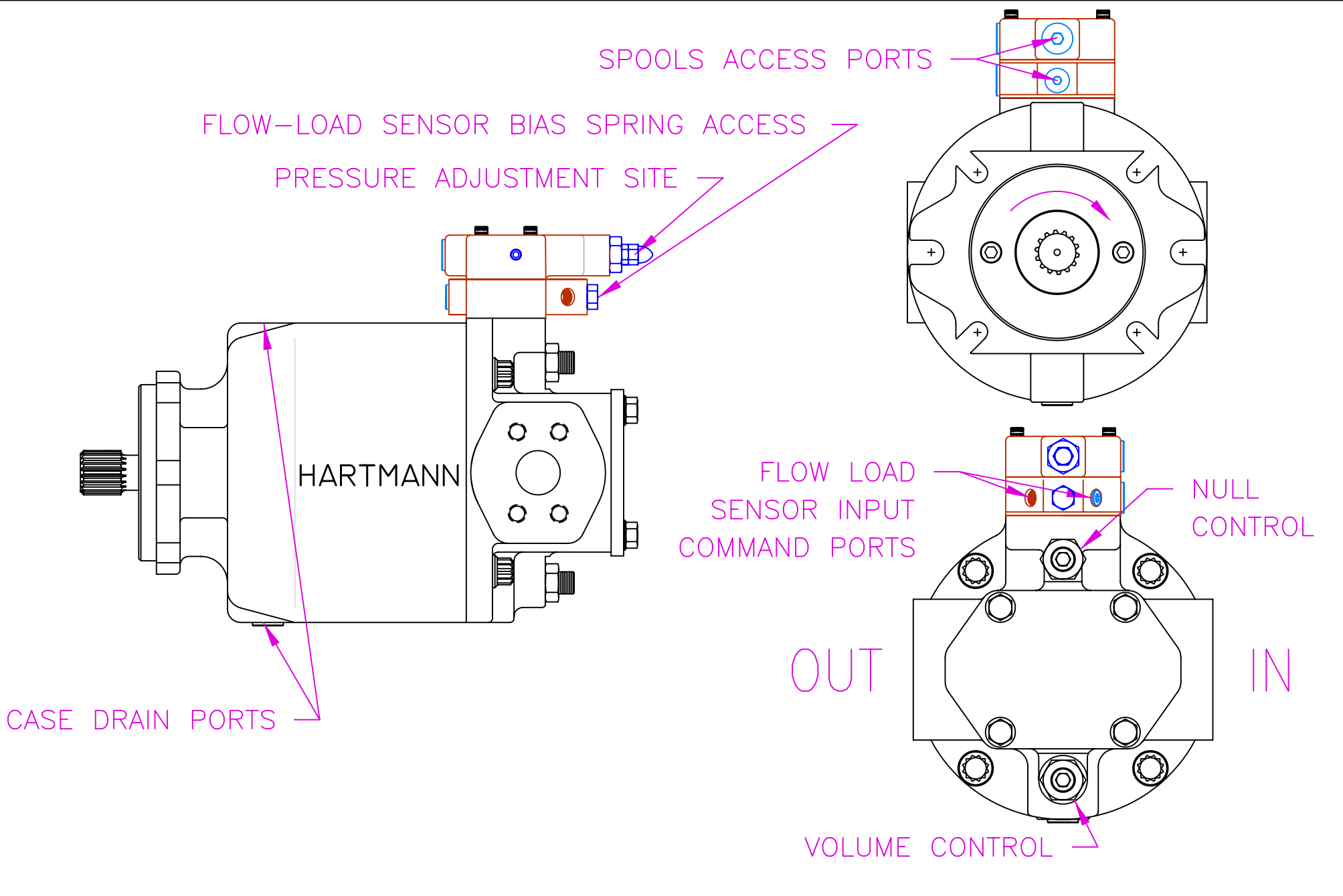
NOT TO SCALE

THE INFORMATION CONTAINED HEREIN IS THE PROPERTY OF HARTMANN CONTROLS INC., AND IS NOT TO BE USED IN A MANNER DETRIMENTAL TO HARTMANN CONTROLS INC.

DWG: SCMPCFLFH

TITLE: NON-ADJUSTABLE FLOW-LOAD SENSOR WITH PRESSURE COMPENSATOR





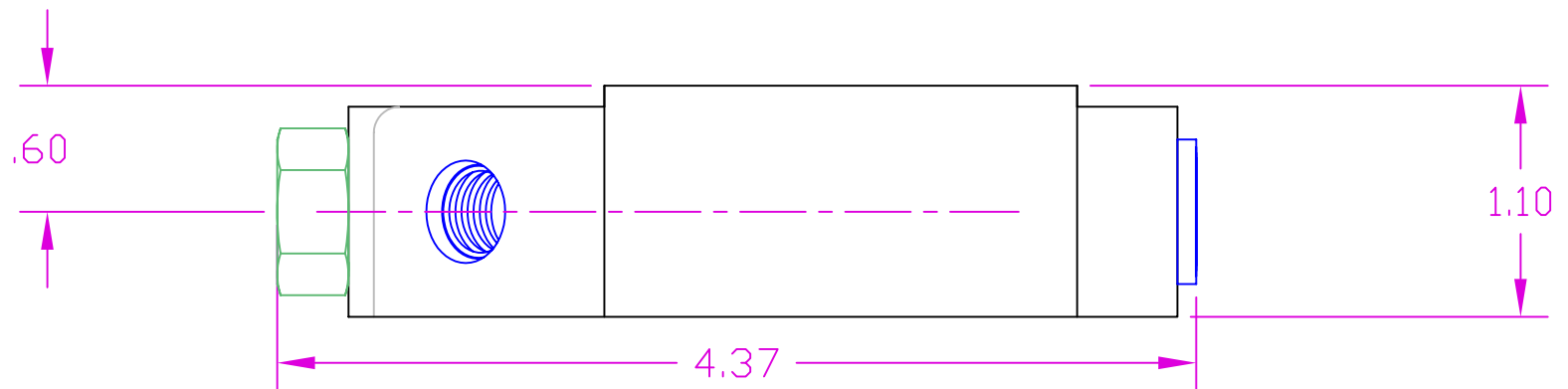
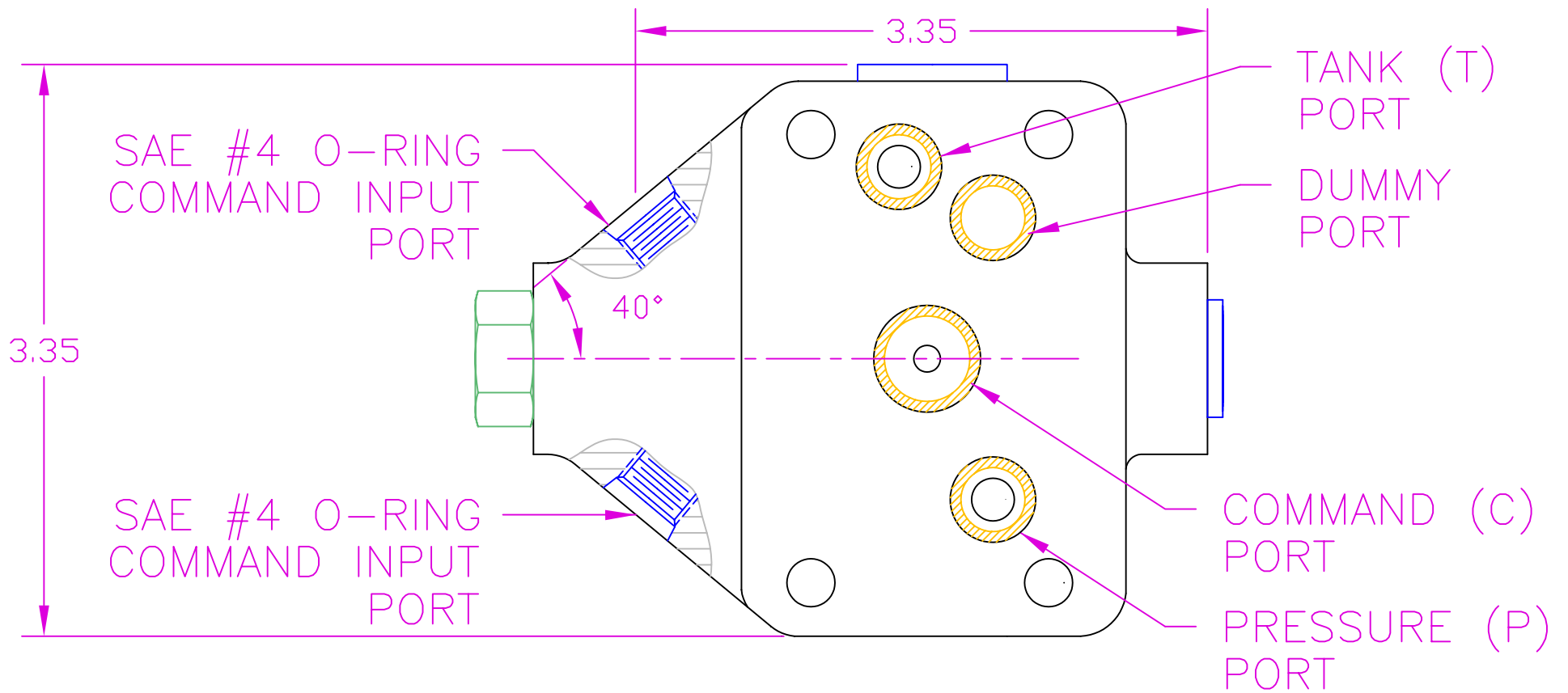
NOT TO SCALE

THE INFORMATION CONTAINED HEREIN IS THE PROPERTY OF HARTMANN CONTROLS INC., AND IS NOT TO BE USED IN A MANNER DETRIMENTAL TO HARTMANN CONTROLS INC.

DWG NO: PCFLFHPUMP

TITLE: PVX PUMP WITH A NON ADJUSTABLE LOAD SENSOR & PRESSURE COMPENSATOR

604 PROGRESS DRIVE
HARTLAND, WI 53029



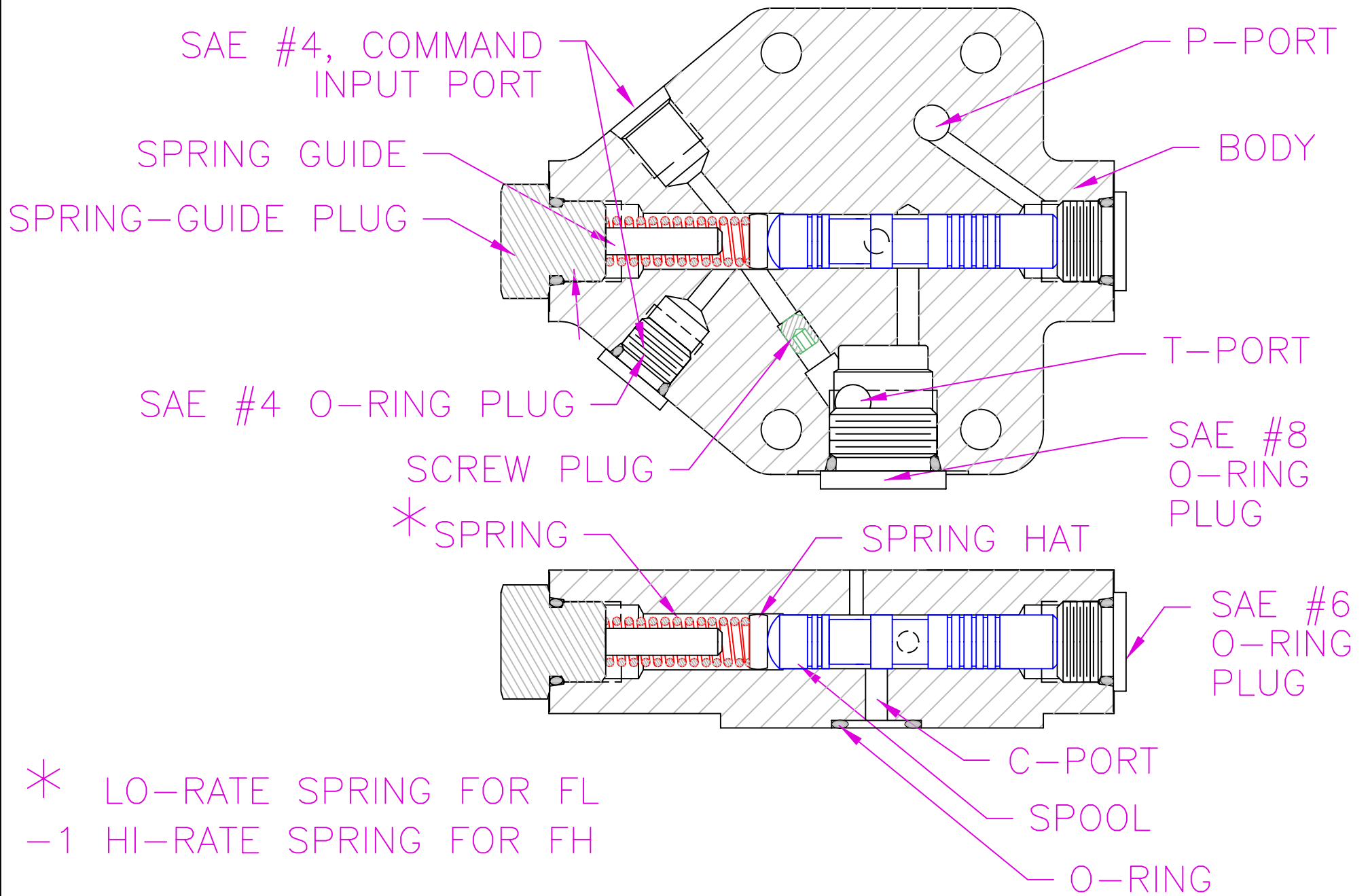
NOT TO SCALE

THE INFORMATION CONTAINED HEREIN IS THE PROPERTY OF HARTMANN CONTROLS INC., AND IS NOT TO BE USED IN A MANNER DETRIMENTAL TO HARTMANN CONTROLS INC.

DWG NO: 52125DIM

TITLE: OUTLINE OF A
NON-ADJUSTABLE
FLOW-LOAD SENSOR





NOT TO SCALE

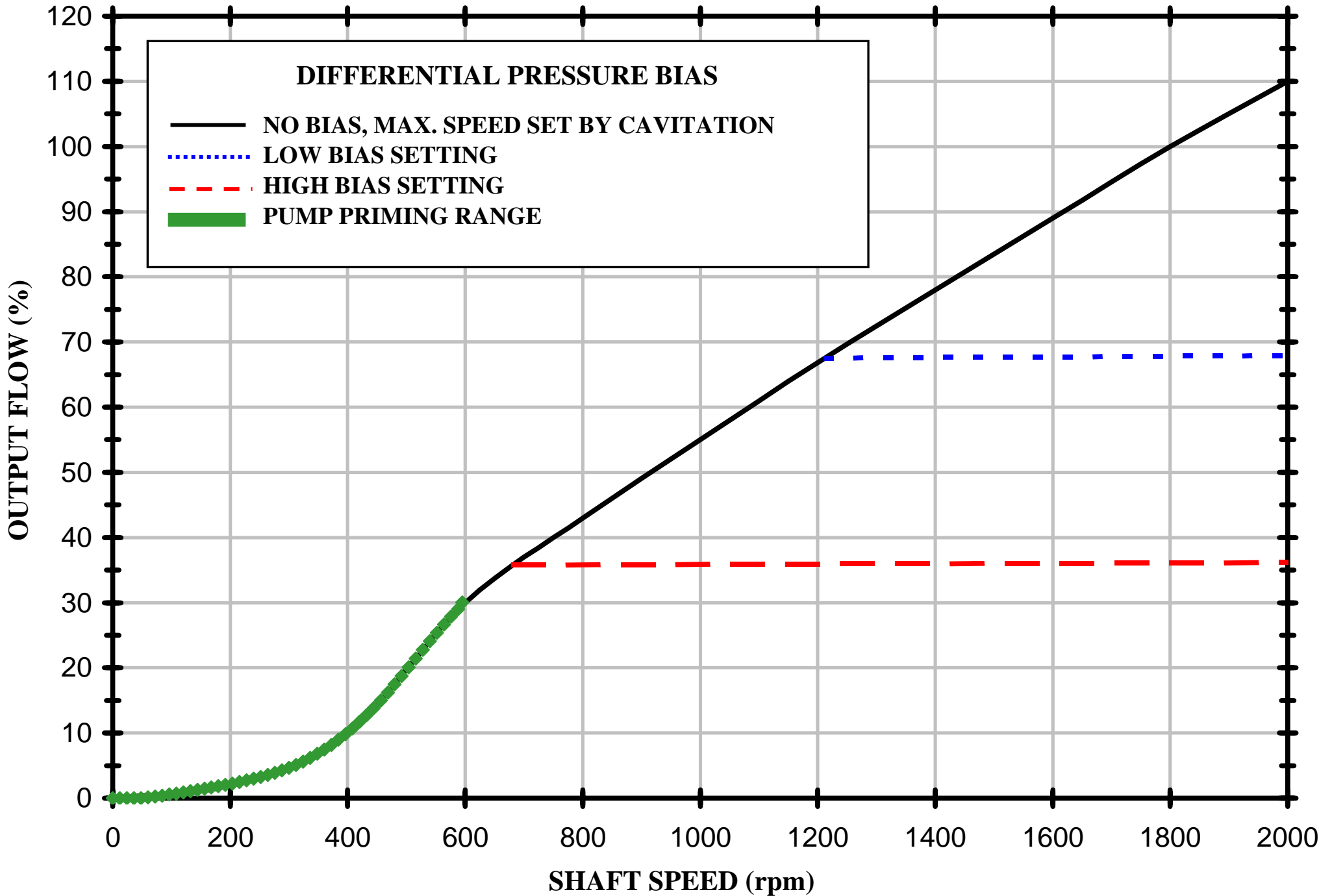
TITLE: LAYOUT
 OF A NON-ADJUSTABLE
 FLOW-LOAD SENSOR

THE INFORMATION CONTAINED HEREIN IS THE PROPERTY OF
 HARTMANN CONTROLS INC., AND IS NOT TO BE USED IN A
 MANNER DETRIMENTAL TO HARTMANN CONTROLS INC.

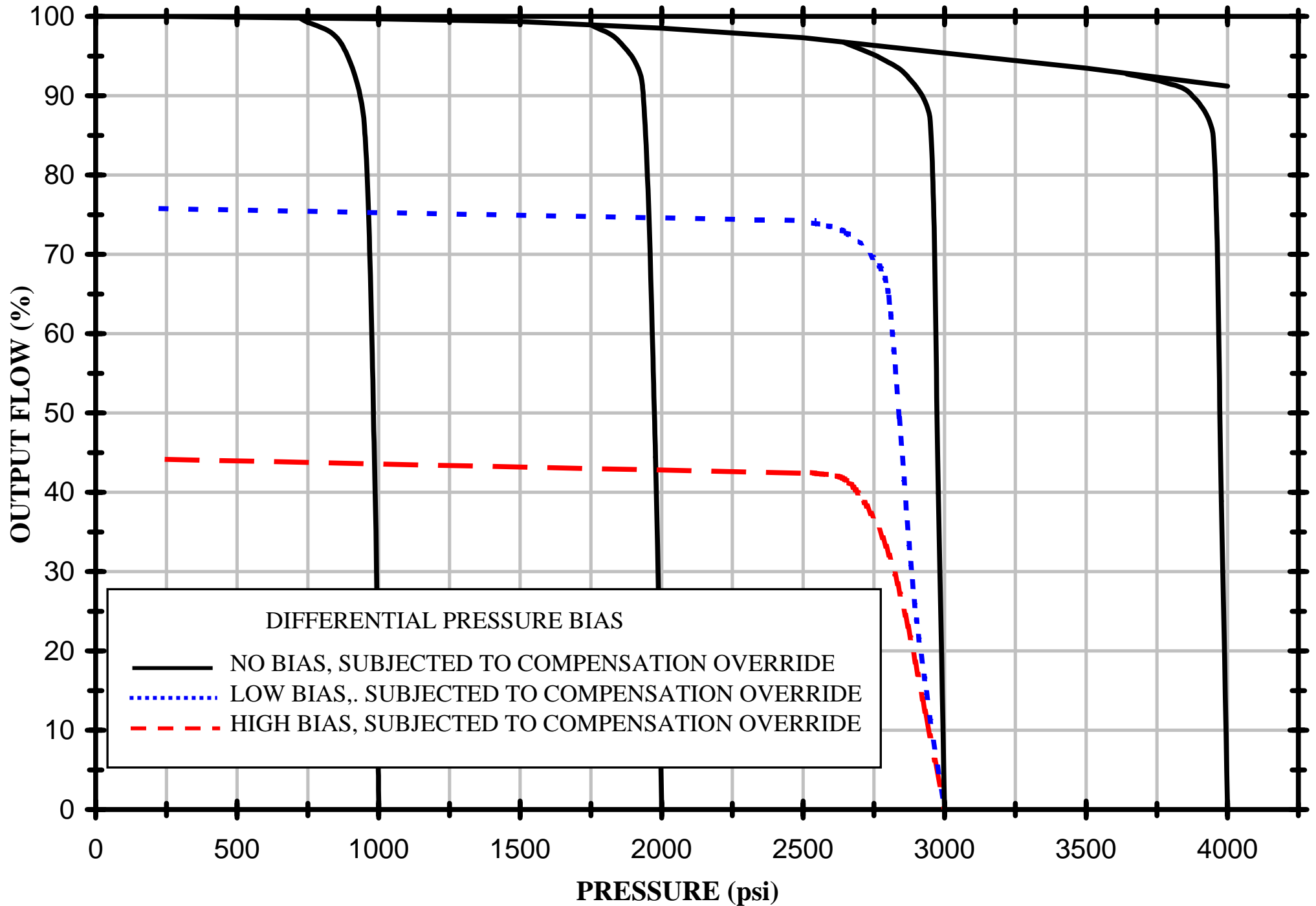
DWG NO: 52125LAY

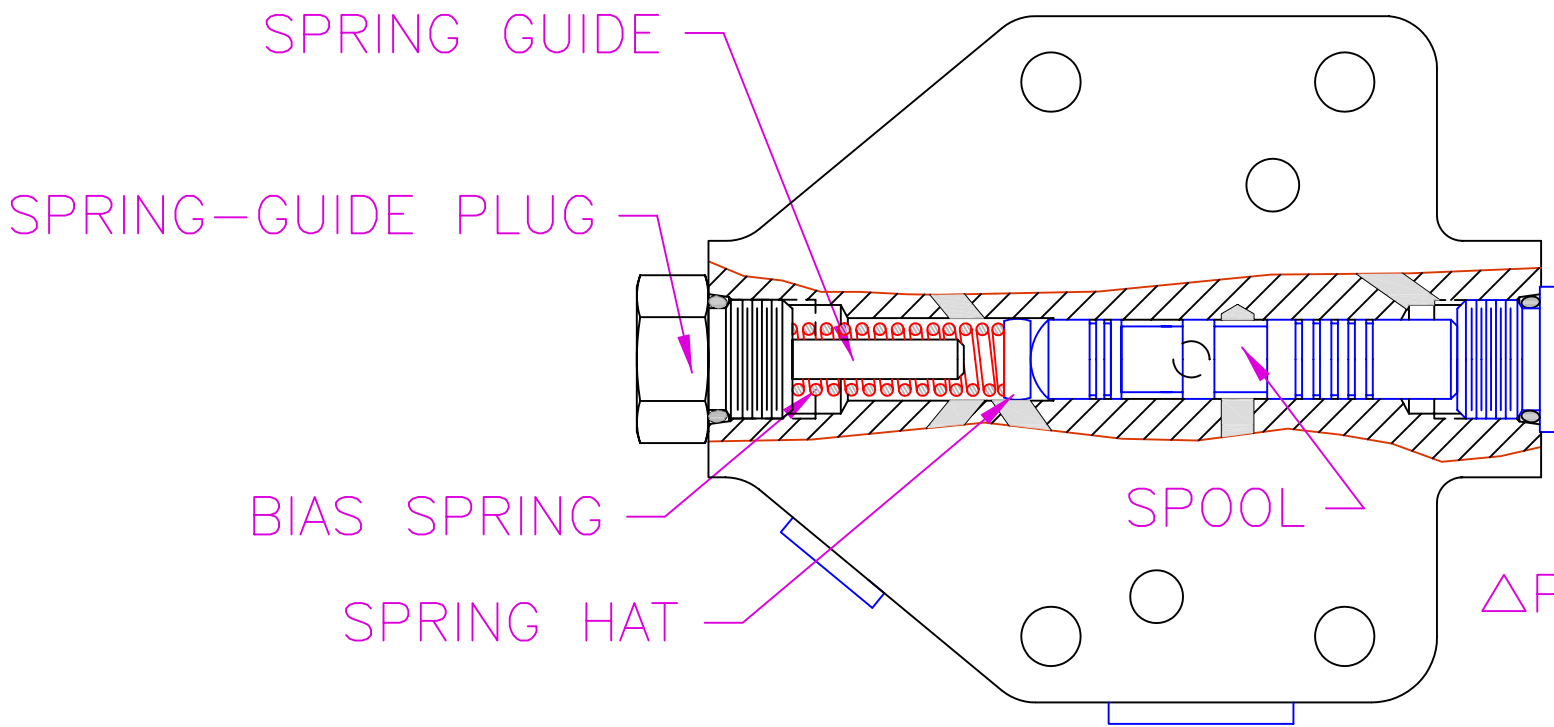


**SPEED LOADING RESPONSE OF A LOAD-SENSOR GOVERNED
VARIABLE DISPLACEMENT PUMP; ISO 32 OIL @ 115° F**

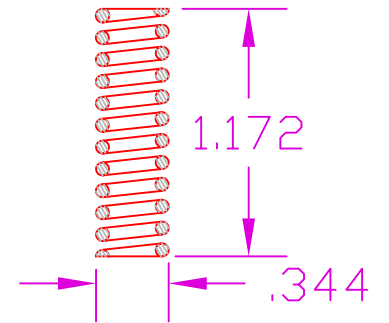


PRESSURE LOADING RESPONSE OF A LOAD-SENSOR GOVERNED VARIABLE DISPLACEMENT PUMP; ISO 32 OIL @ 115° F



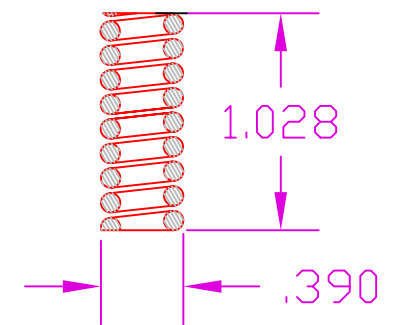


LOW-RATE
SPRING



$\Delta P: 170-400$ PSI

HIGH-RATE
SPRING



$\Delta P: 400-700$ PSI

1. UNJAM SPRING-GUIDE PLUG
2. UNSCREW IT AND PULL OUT THE PLUG AND SPRING
3. REMOVE THE CURRENT SPRING
4. ENGAGE THE DESIRED SPRING ON THE GUIDE
5. INSERT PLUG ASSEMBLY BACK INTO THE BODY
6. SLOWLY SREW IN THE ASSEMBLY
7. JAM THE SPRING-GUIDE PLUG

NOT TO SCALE

TITLE: BIAS-SPRING CHANGE
IN A NON-ADJUSTABLE
FLOW-LOAD SENSOR

THE INFORMATION CONTAINED HEREIN IS THE PROPERTY OF
HARTMANN CONTROLS INC., AND IS NOT TO BE USED IN A
MANNER DETRIMENTAL TO HARTMANN CONTROLS INC.

DWG NO: 52125SERVICE

