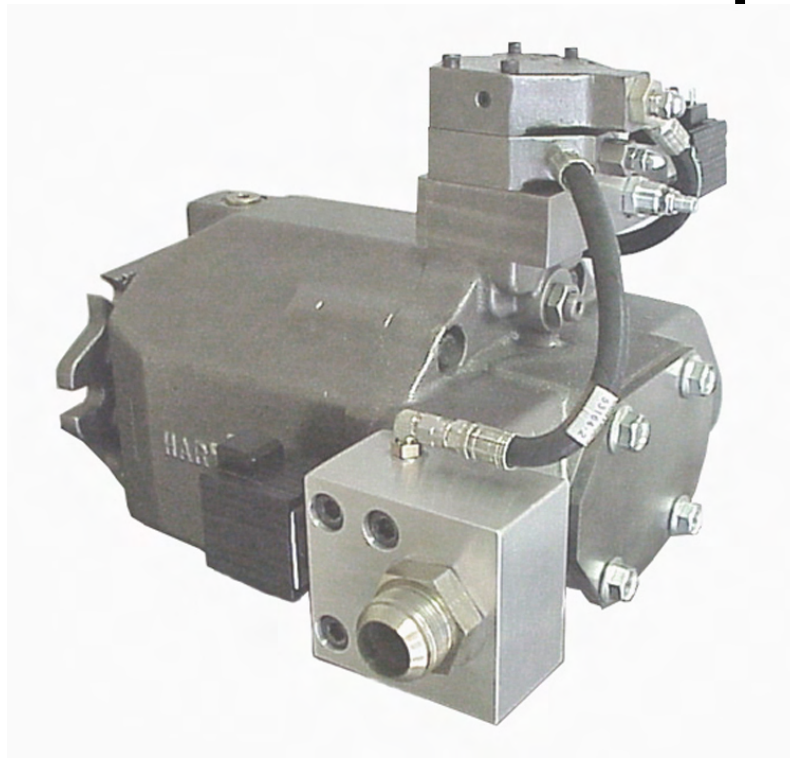
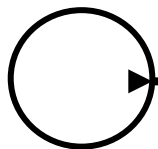




DM, Stack Control Dump Manifold for PVX Series Pumps



*Hydraulic pumps & motors with a **hart of gold**™*



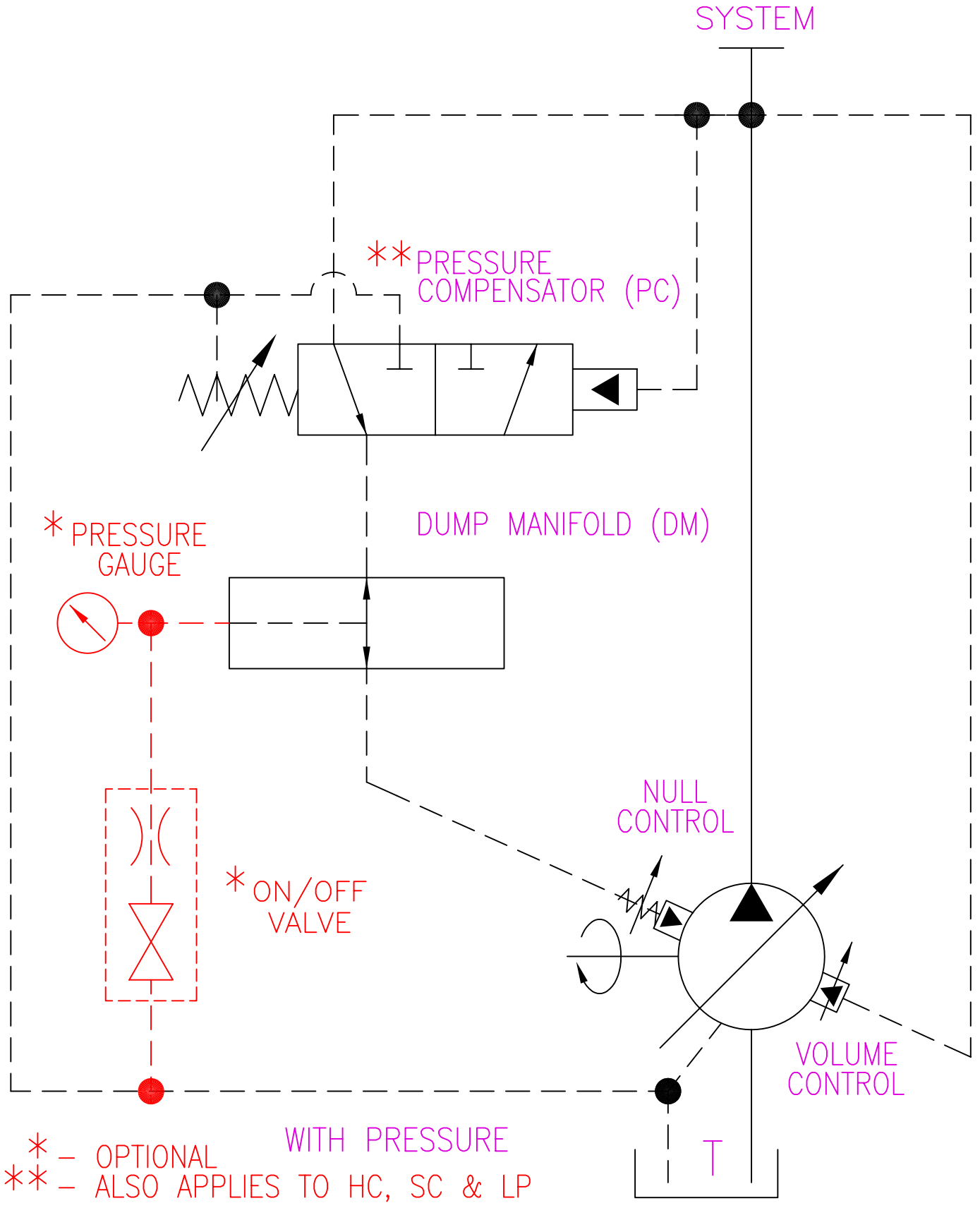
**604 PROGRESS DRIVE, HARTLAND, WI 53029
USA**

Phone: (262) 367-4299

URL: www.hartmanncontrols.com

FAX: (262) 367-5645

E-mail: sales@hartmanncontrols.com



NOT TO SCALE

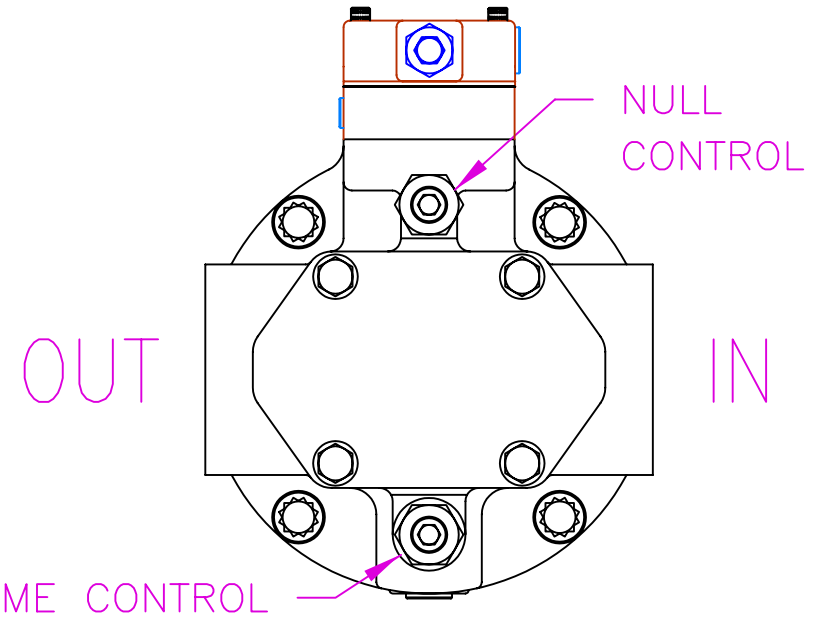
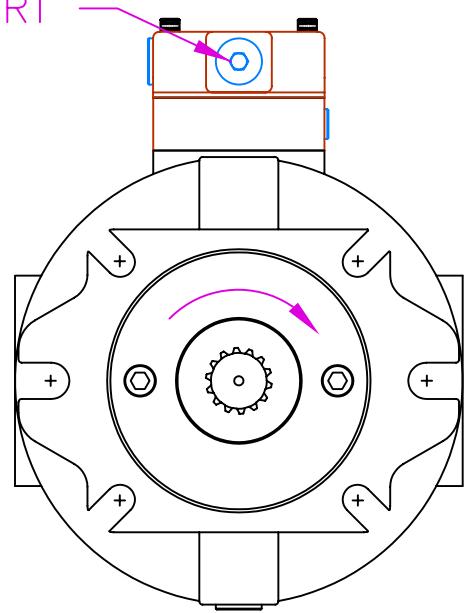
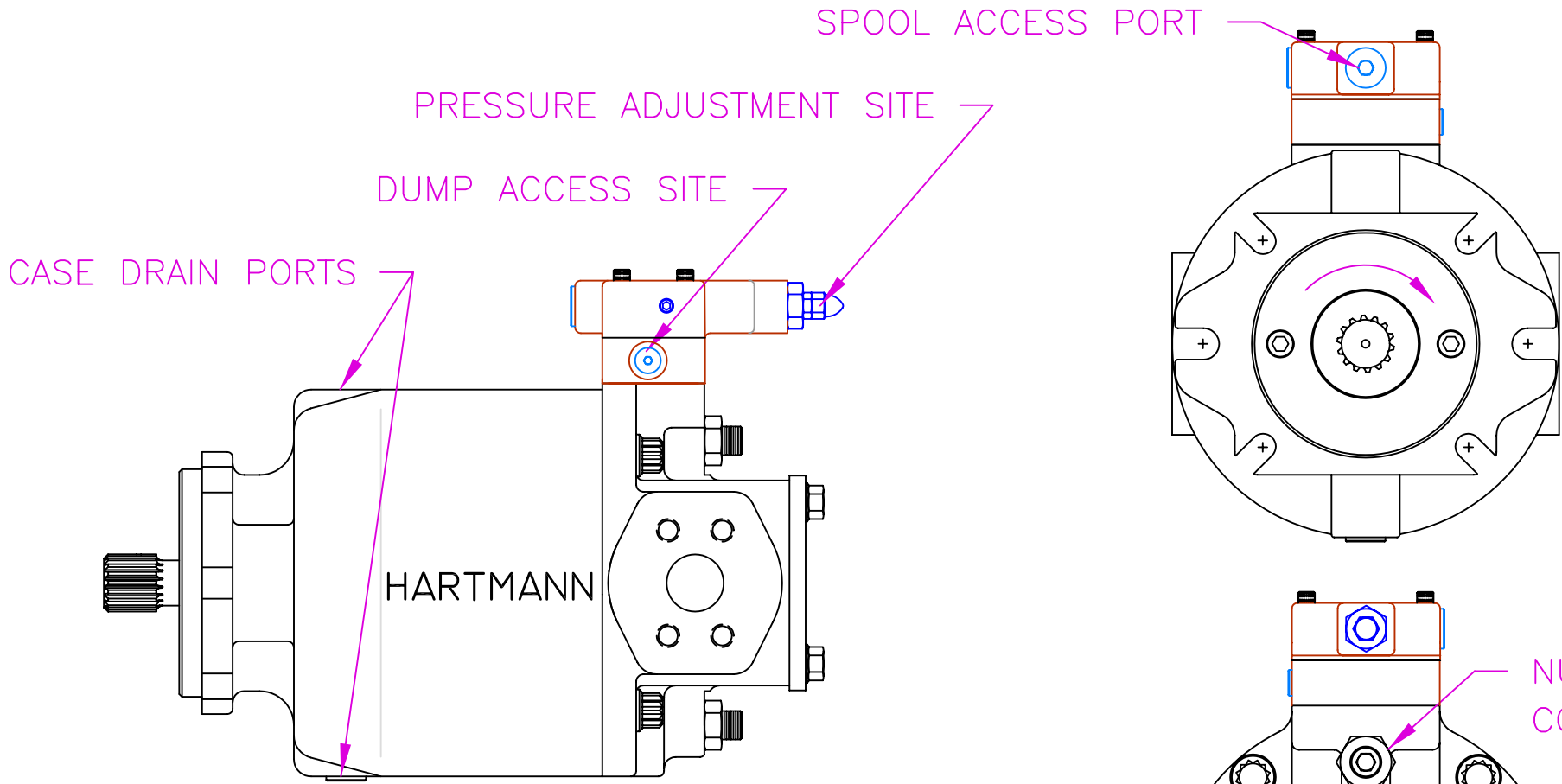
THE INFORMATION CONTAINED HEREIN IS THE PROPERTY OF HARTMANN CONTROLS INC., AND IS NOT TO BE USED IN A MANNER DETRIMENTAL TO HARTMANN CONTROLS INC.

DWG: SCMPCDM

TITLE: DUMP MANIFOLD WITH PRESSURE COMPENSATOR OVERRIDE

604 PROGRESS DRIVE
 HARTLAND, WI 53029

CONTROLS INC.



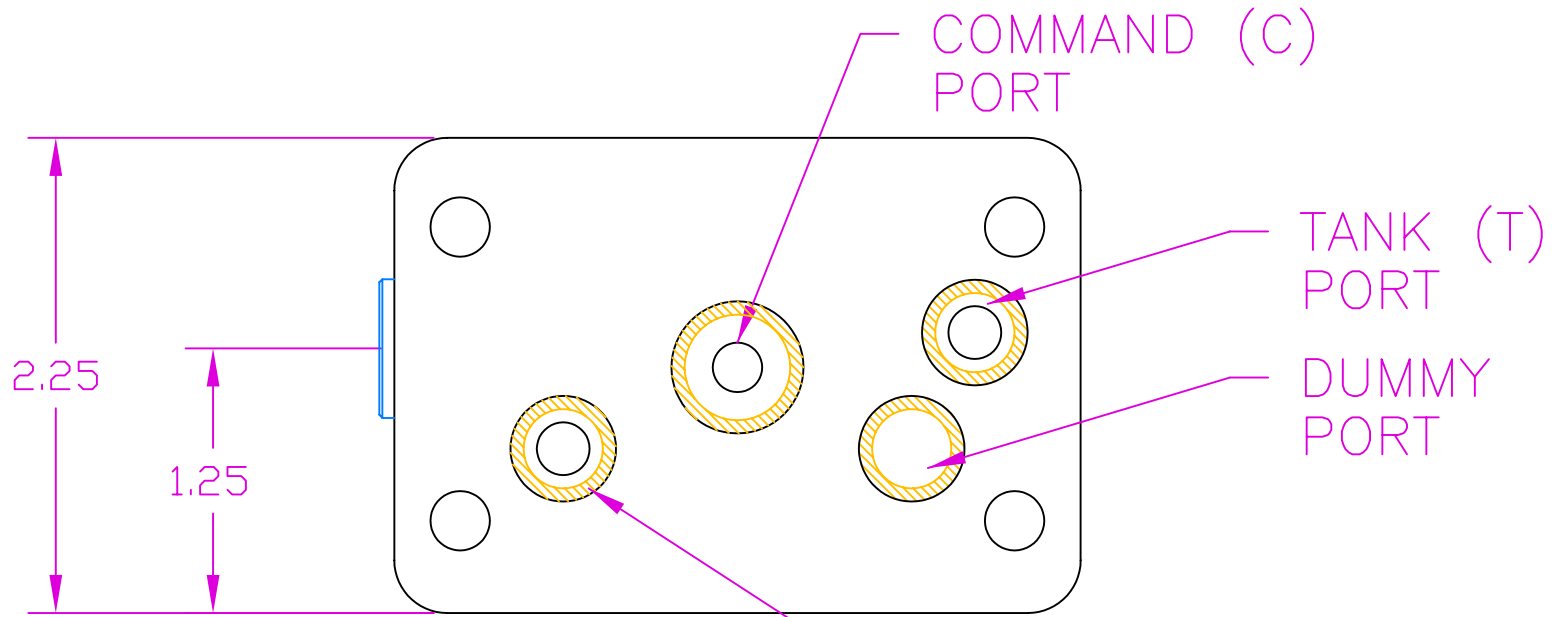
NOT TO SCALE

THE INFORMATION CONTAINED HEREIN IS THE PROPERTY OF HARTMANN CONTROLS INC., AND IS NOT TO BE USED IN A MANNER DETRIMENTAL TO HARTMANN CONTROLS INC.

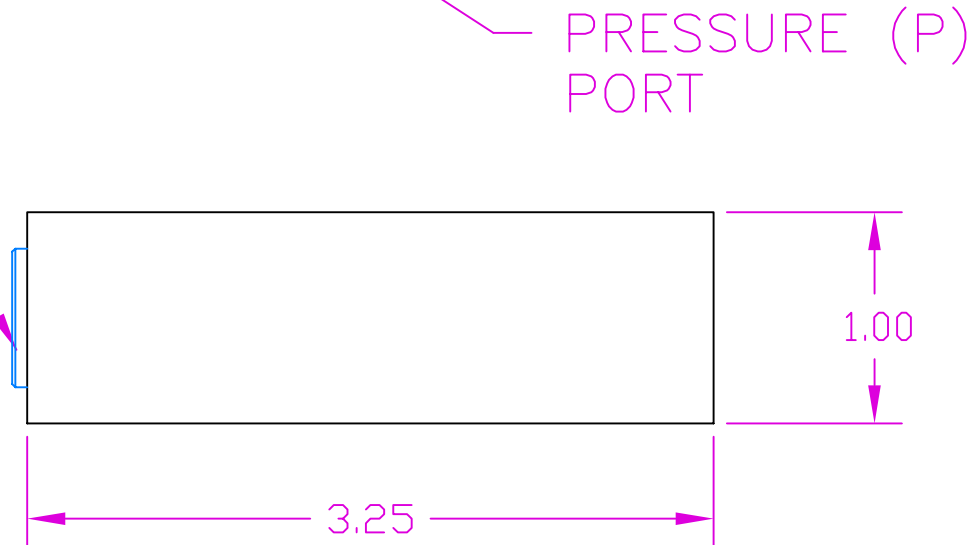
DWG NO: PCDMPUMP

TITLE: PVX PUMP WITH A DUMP MANIFOLD AND PRESSURE COMPENSATOR





SAE #4 O-RING,
COMMAND C-PORT
DUMPING SITE



NOT TO SCALE

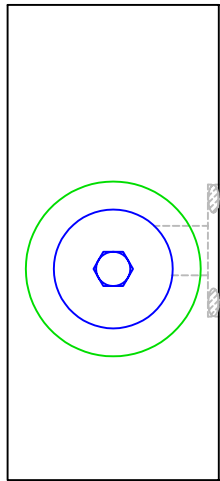
TITLE:

OUTLINE OF A
DUMP MANIFOLD

THE INFORMATION CONTAINED HEREIN IS THE PROPERTY OF
HARTMANN CONTROLS INC., AND IS NOT TO BE USED IN A
MANNER DETRIMENTAL TO HARTMANN CONTROLS INC.

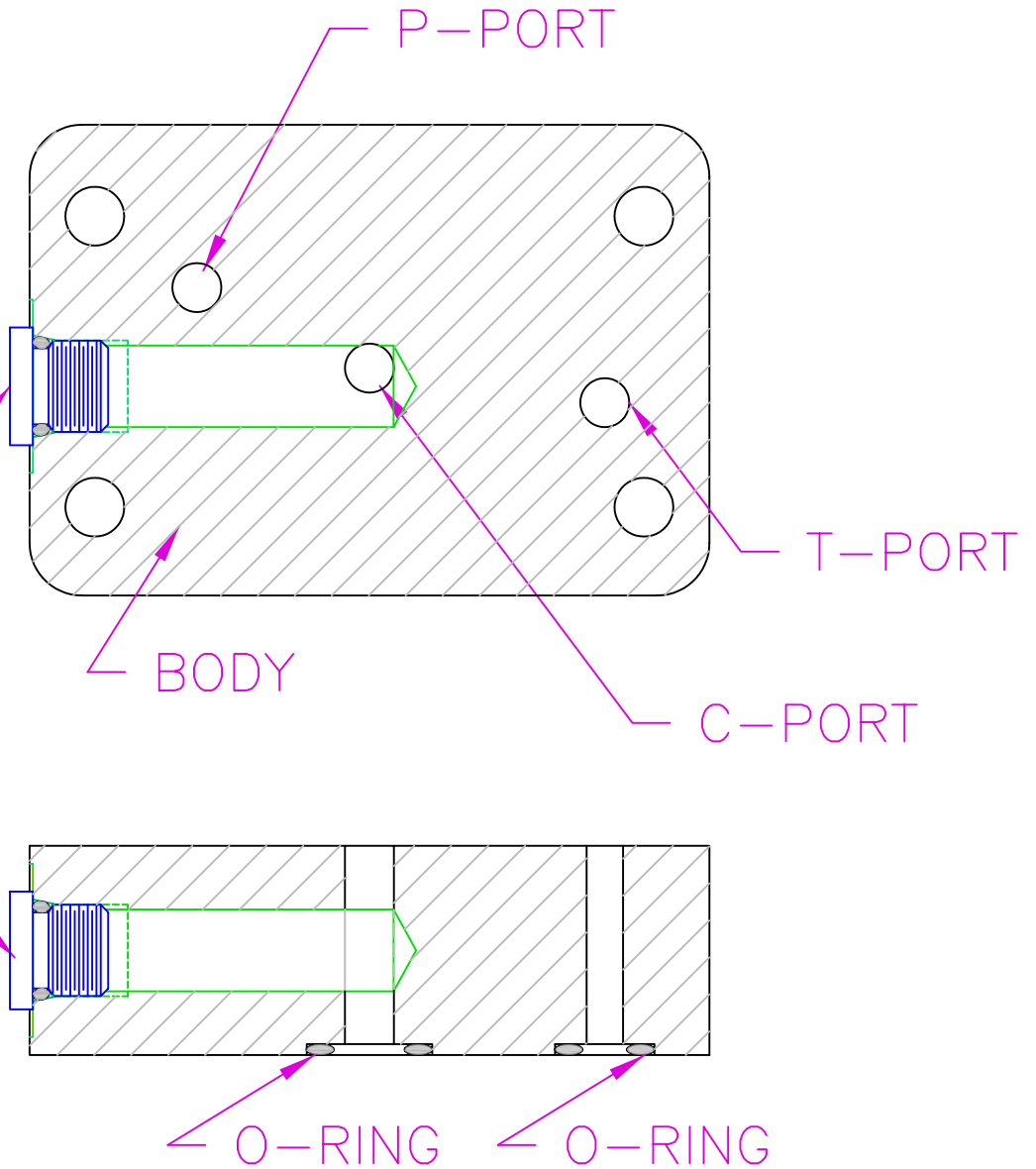
DWG NO: 52860DIM





SAE #4
O-RING
PLUG

COMMAND C-PORT
DUMPING SITE



NOT TO SCALE

TITLE:

LAYOUT OF A
DUMP MANIFOLD

THE INFORMATION CONTAINED HEREIN IS THE PROPERTY OF
HARTMANN CONTROLS INC., AND IS NOT TO BE USED IN A
MANNER DETRIMENTAL TO HARTMANN CONTROLS INC.

DWG NO: 52860LAY

