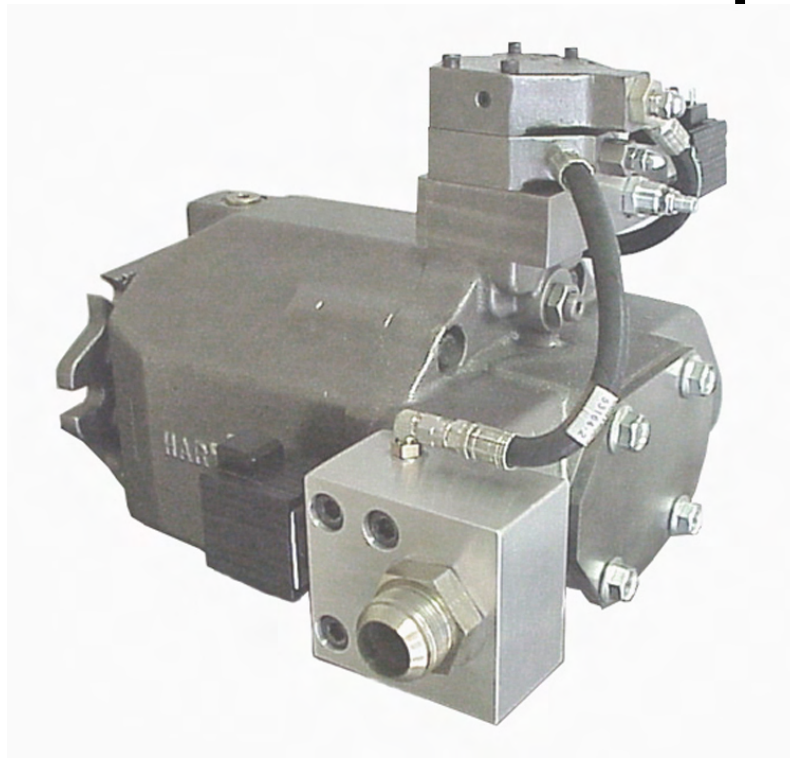
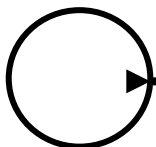




CP, Fixed Displacement Control for PVX Series Pumps



*Hydraulic pumps & motors with a **hart of gold**™*



**604 PROGRESS DRIVE, HARTLAND, WI 53029
USA**

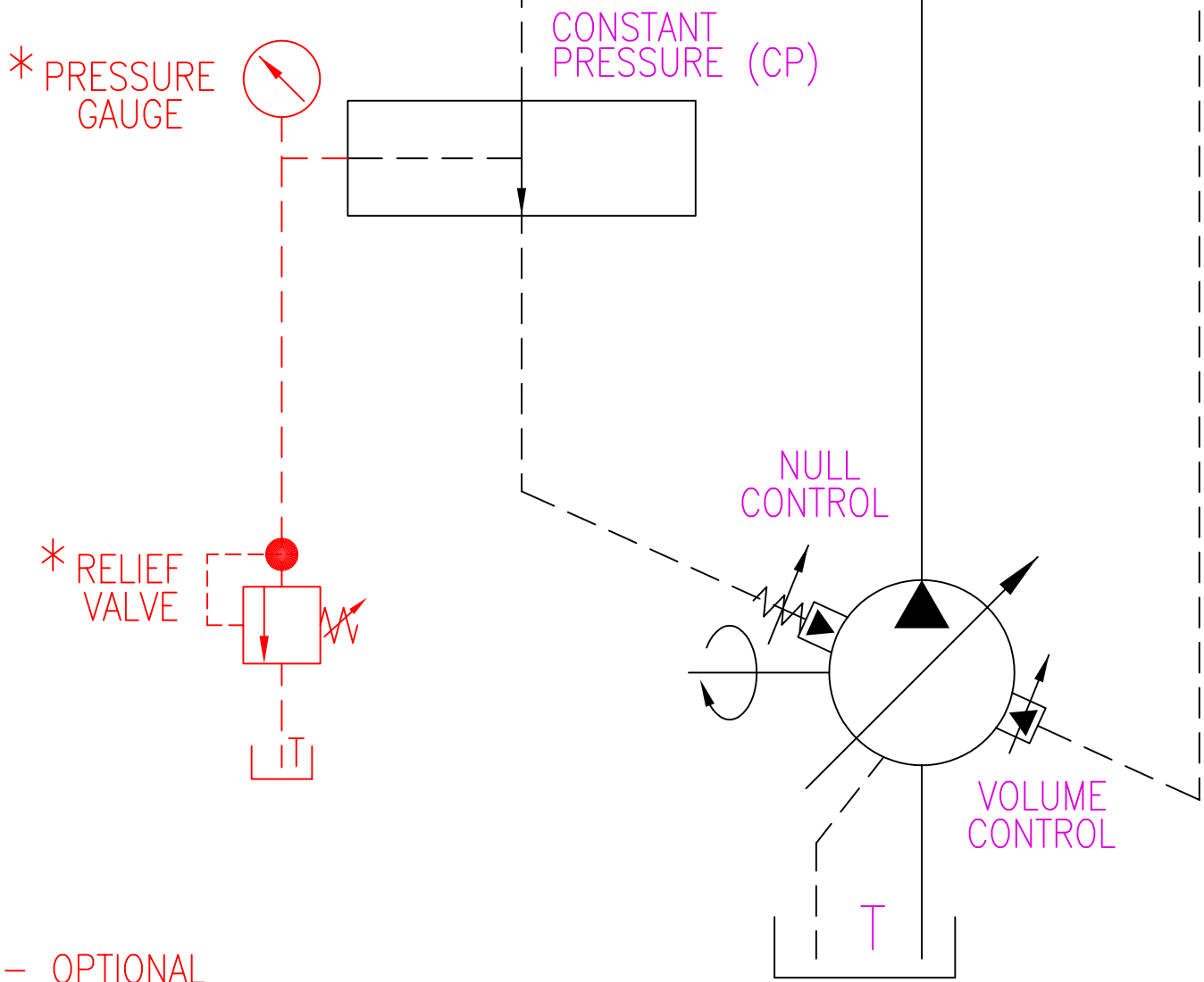
Phone: (262) 367-4299

URL: www.hartmanncontrols.com

FAX: (262) 367-5645

E-mail: sales@hartmanncontrols.com

SYSTEM



* PRESSURE GAUGE

CONSTANT PRESSURE (CP)

* RELIEF VALVE

NULL CONTROL

VOLUME CONTROL

* - OPTIONAL

NOT TO SCALE

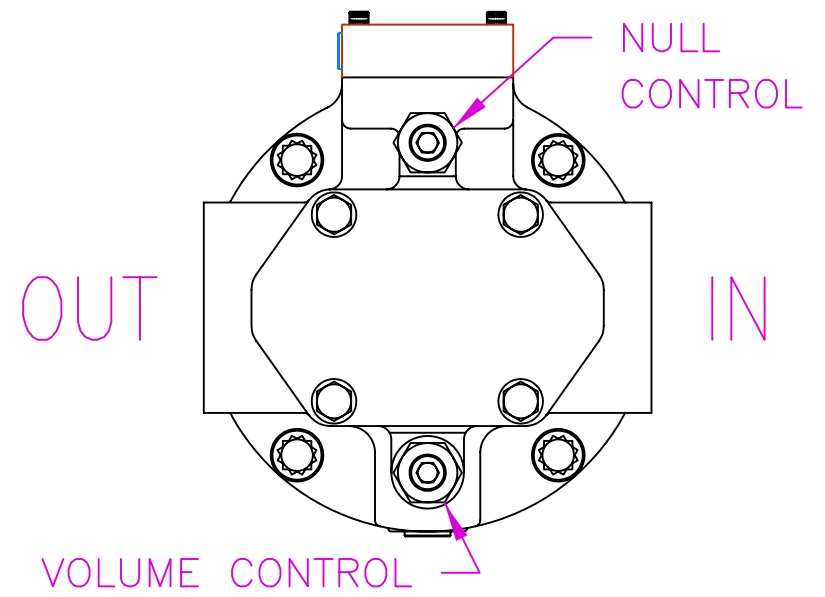
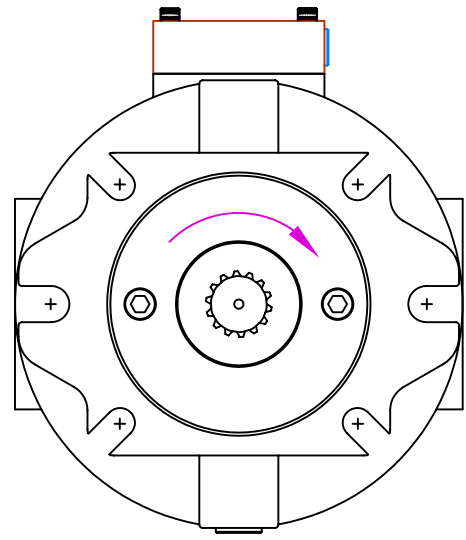
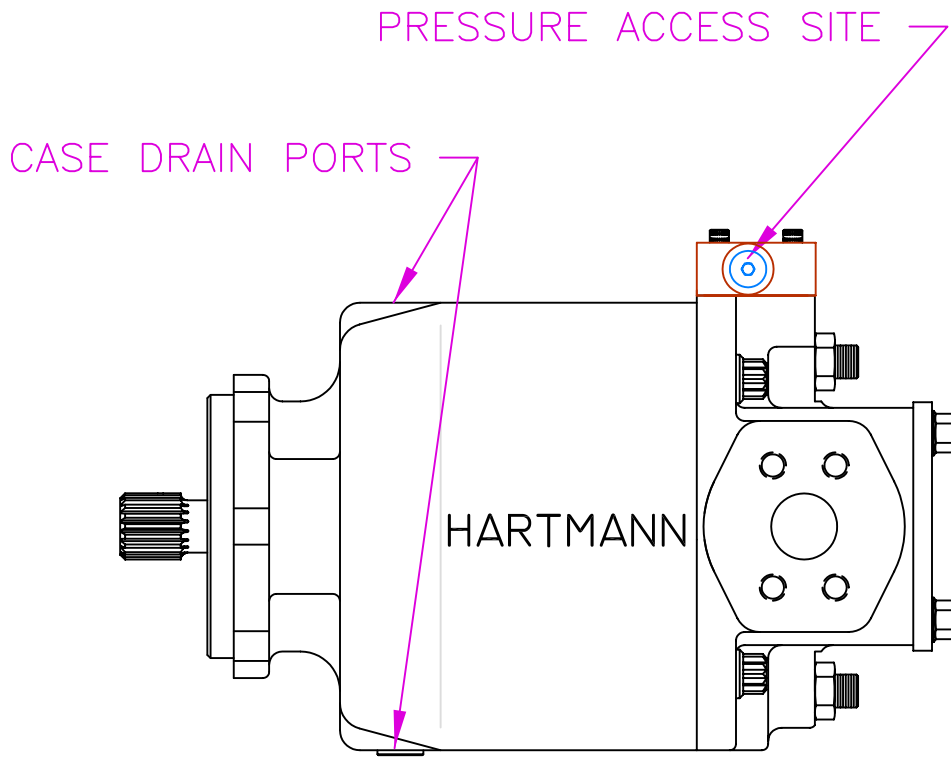
TITLE:
CONSTANT PRESSURE
FIXED DISPLACEMENT
CONTROL

THE INFORMATION CONTAINED HEREIN IS THE PROPERTY OF HARTMANN CONTROLS INC., AND IS NOT TO BE USED IN A MANNER DETRIMENTAL TO HARTMANN CONTROLS INC.

DWG: SCMCP

604 PROGRESS DRIVE
HARTLAND, WI 53029

CONTROLS INC.



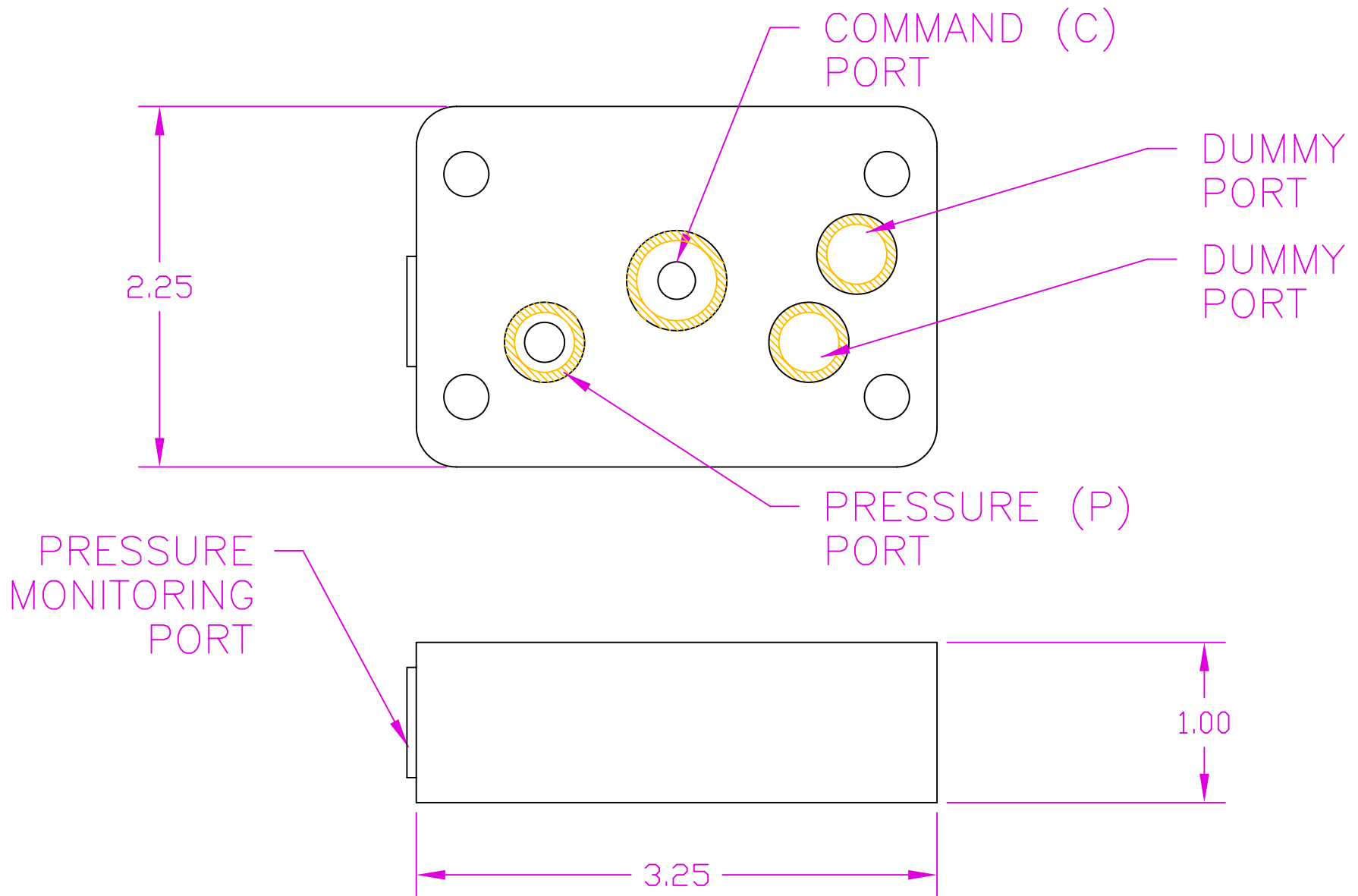
NOT TO SCALE

TITLE: PVX PUMP WITH A
CONSTANT PRESSURE, FIXED
DISPLACEMENT CONTROL

THE INFORMATION CONTAINED HEREIN IS THE PROPERTY OF
HARTMANN CONTROLS INC., AND IS NOT TO BE USED IN A
MANNER DETRIMENTAL TO HARTMANN CONTROLS INC.

DWG NO: CPPUMP





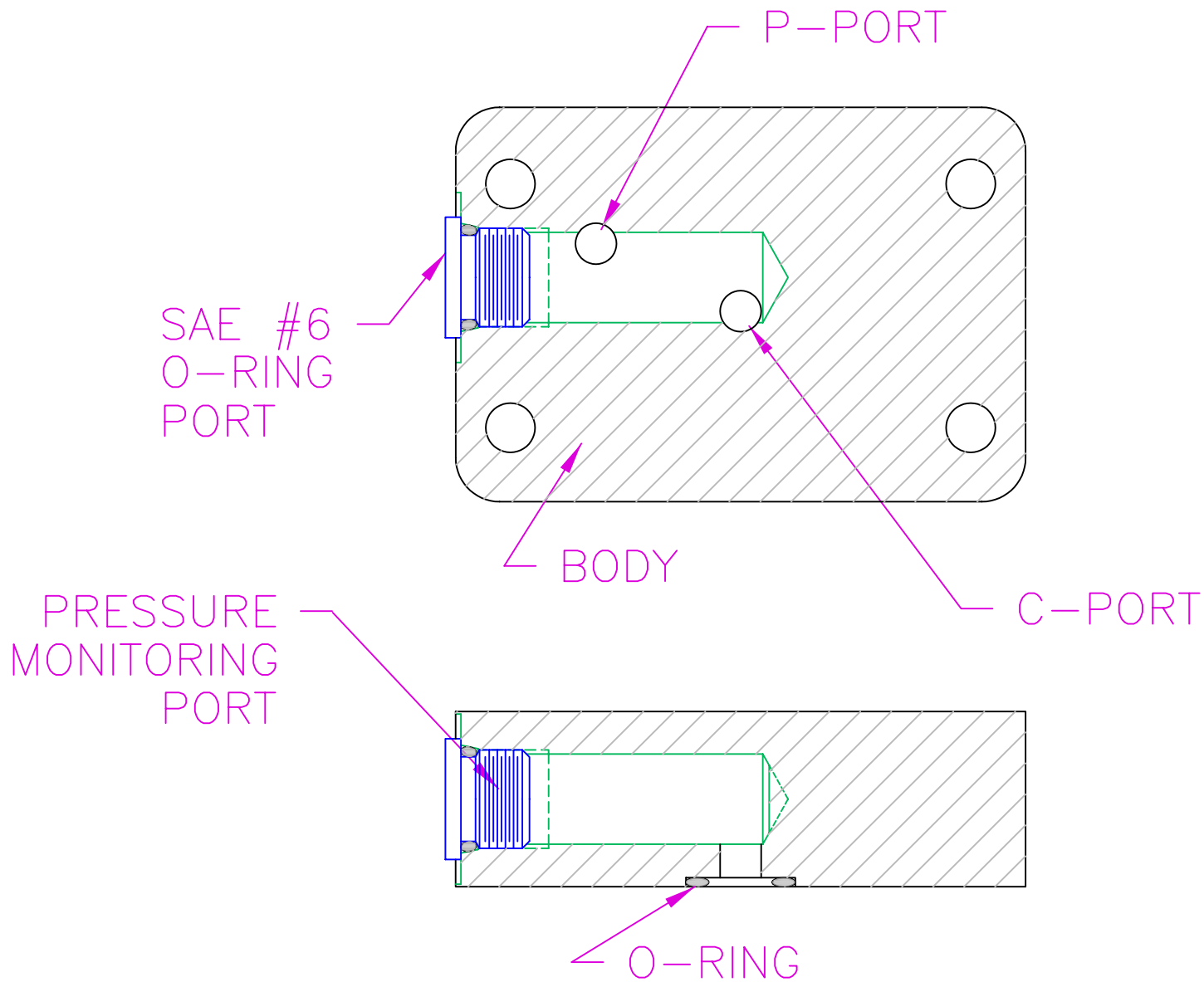
NOT TO SCALE

TITLE: OUTLINE OF A
 CONSTANT PRESSURE, FIXED
 DISPLACEMENT CONTROL

THE INFORMATION CONTAINED HEREIN IS THE PROPERTY OF
 HARTMANN CONTROLS INC., AND IS NOT TO BE USED IN A
 MANNER DETRIMENTAL TO HARTMANN CONTROLS INC.

DWG NO: 52362DIM





NOT TO SCALE

TITLE: LAYOUT OF A
CONSTANT PRESSURE, FIXED
DISPLACEMENT CONTROL

THE INFORMATION CONTAINED HEREIN IS THE PROPERTY OF
HARTMANN CONTROLS INC., AND IS NOT TO BE USED IN A
MANNER DETRIMENTAL TO HARTMANN CONTROLS INC.

DWG NO: 52362LAY



**CONSTANT PRESSURE, FIXED DISPLACEMENT PERFORMANCE OF A
PISTON PUMP; ISO 32 OIL @ 115° F**

