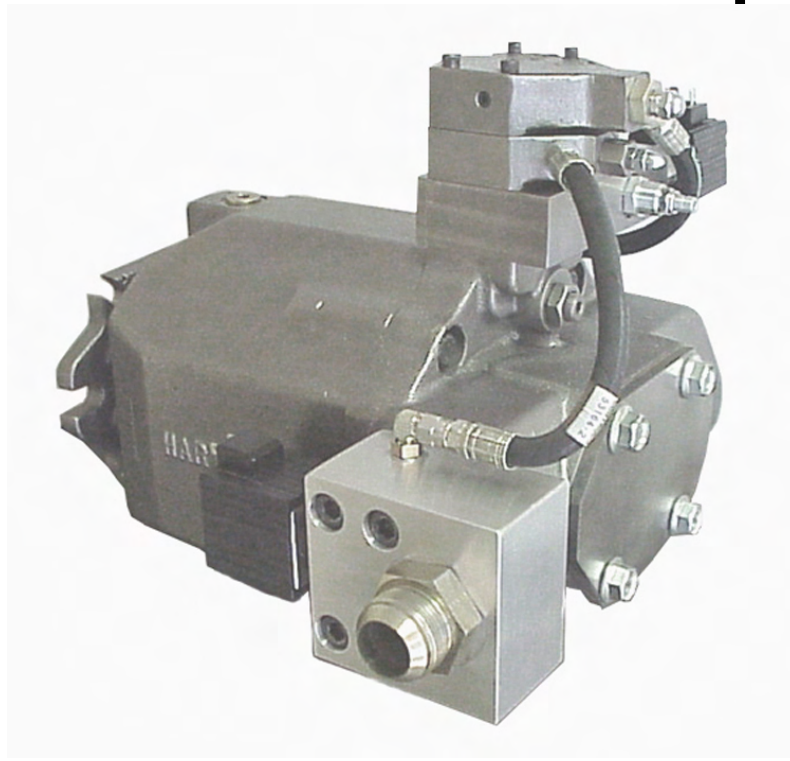
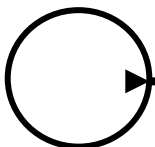


HARTMANN
PUMPS - MOTORS - CONTROLS

AL-AH, Adjustable Bias
Flow-Load Sensor for
PVX Series Pumps



*Hydraulic pumps & motors with a **hart of gold**™*



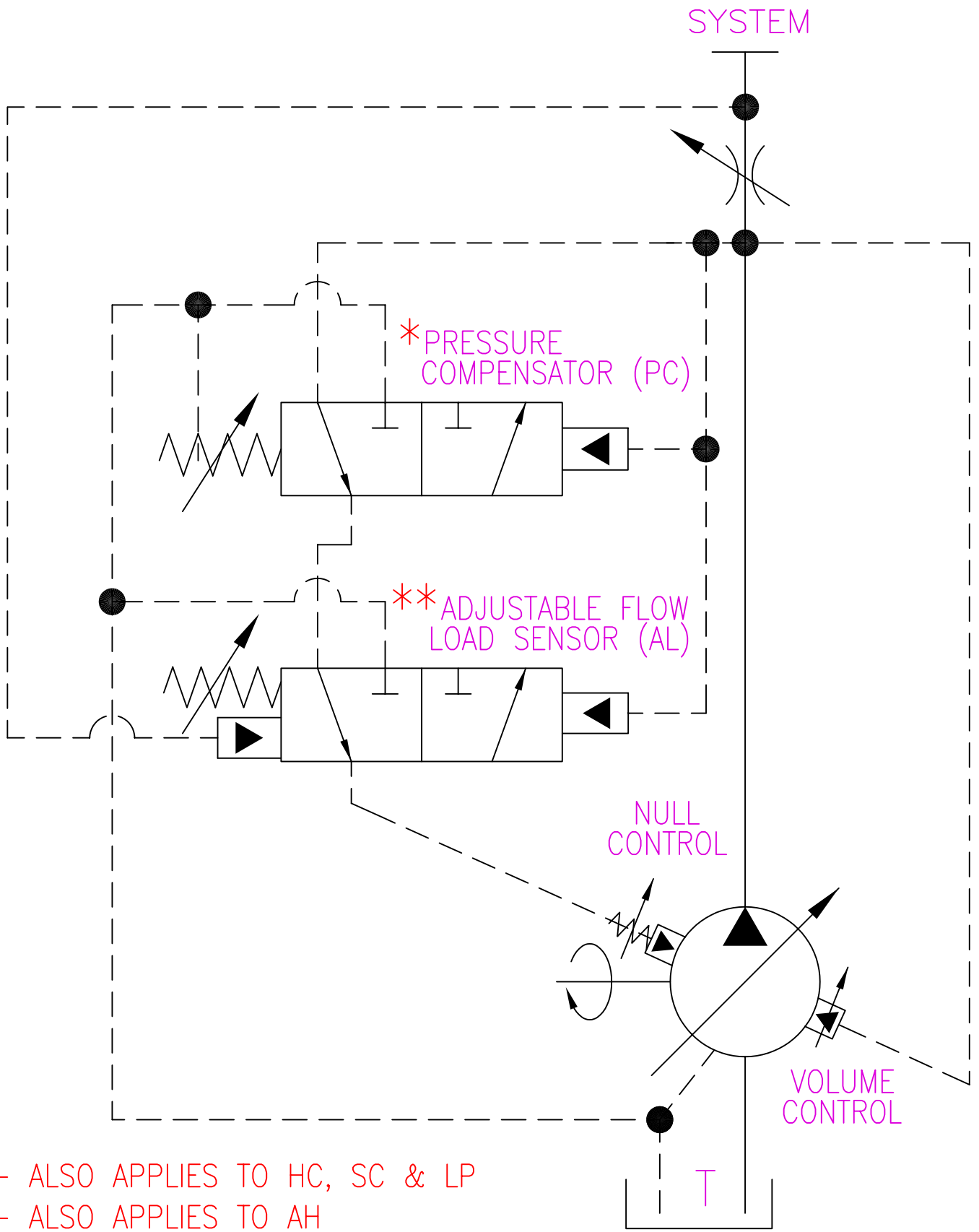
**604 PROGRESS DRIVE, HARTLAND, WI 53029
USA**

Phone: (262) 367-4299

FAX: (262) 367-5645

URL: www.hartmanncontrols.com

E-mail: sales@hartmanncontrols.com



* - ALSO APPLIES TO HC, SC & LP
 ** - ALSO APPLIES TO AH

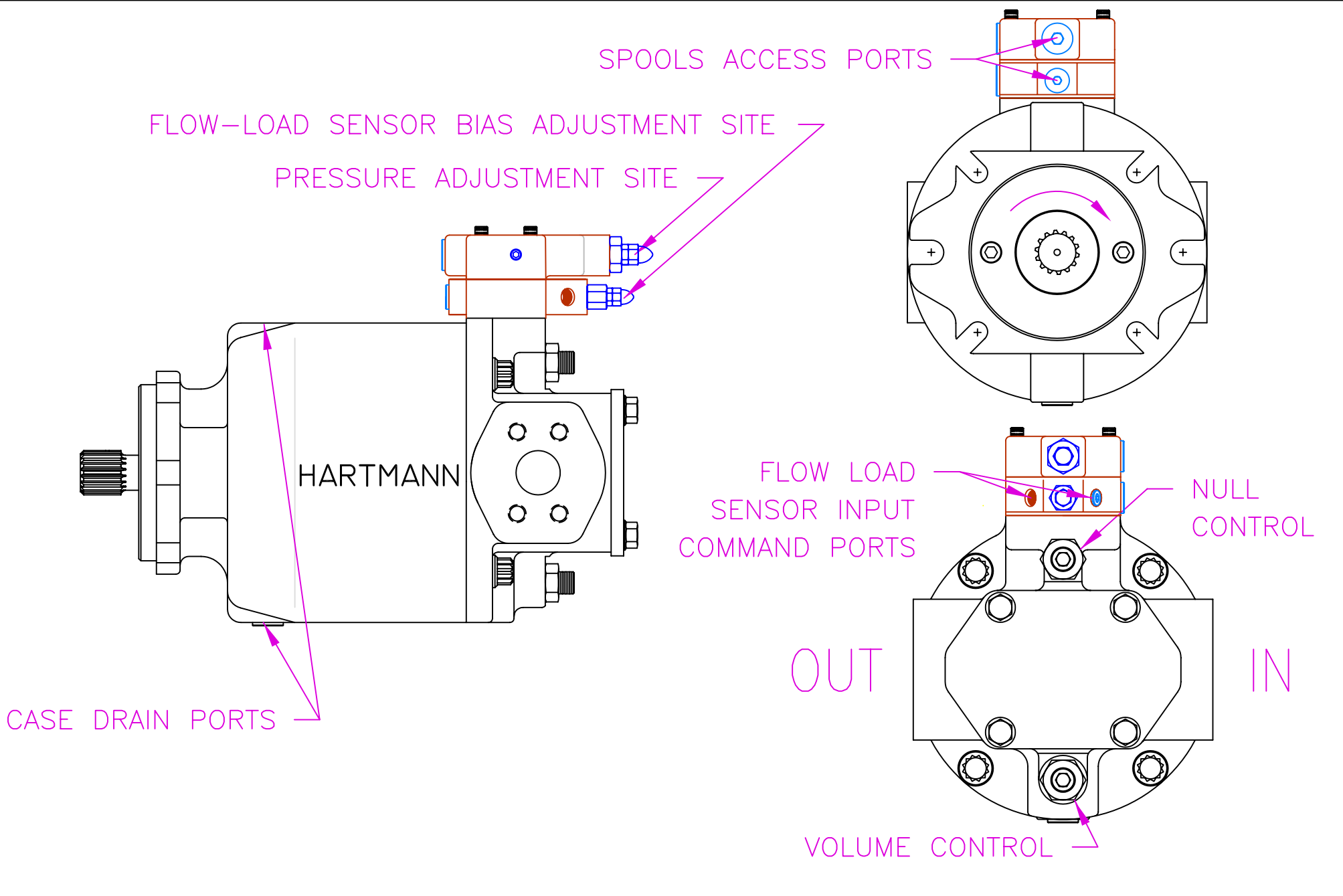
NOT TO SCALE

THE INFORMATION CONTAINED HEREIN IS THE PROPERTY OF HARTMANN CONTROLS INC., AND IS NOT TO BE USED IN A MANNER DETRIMENTAL TO HARTMANN CONTROLS INC.

DWG: SCMPCALAH

TITLE: ADJUSTABLE FLOW-LOAD SENSOR WITH PRESSURE COMPENSATOR





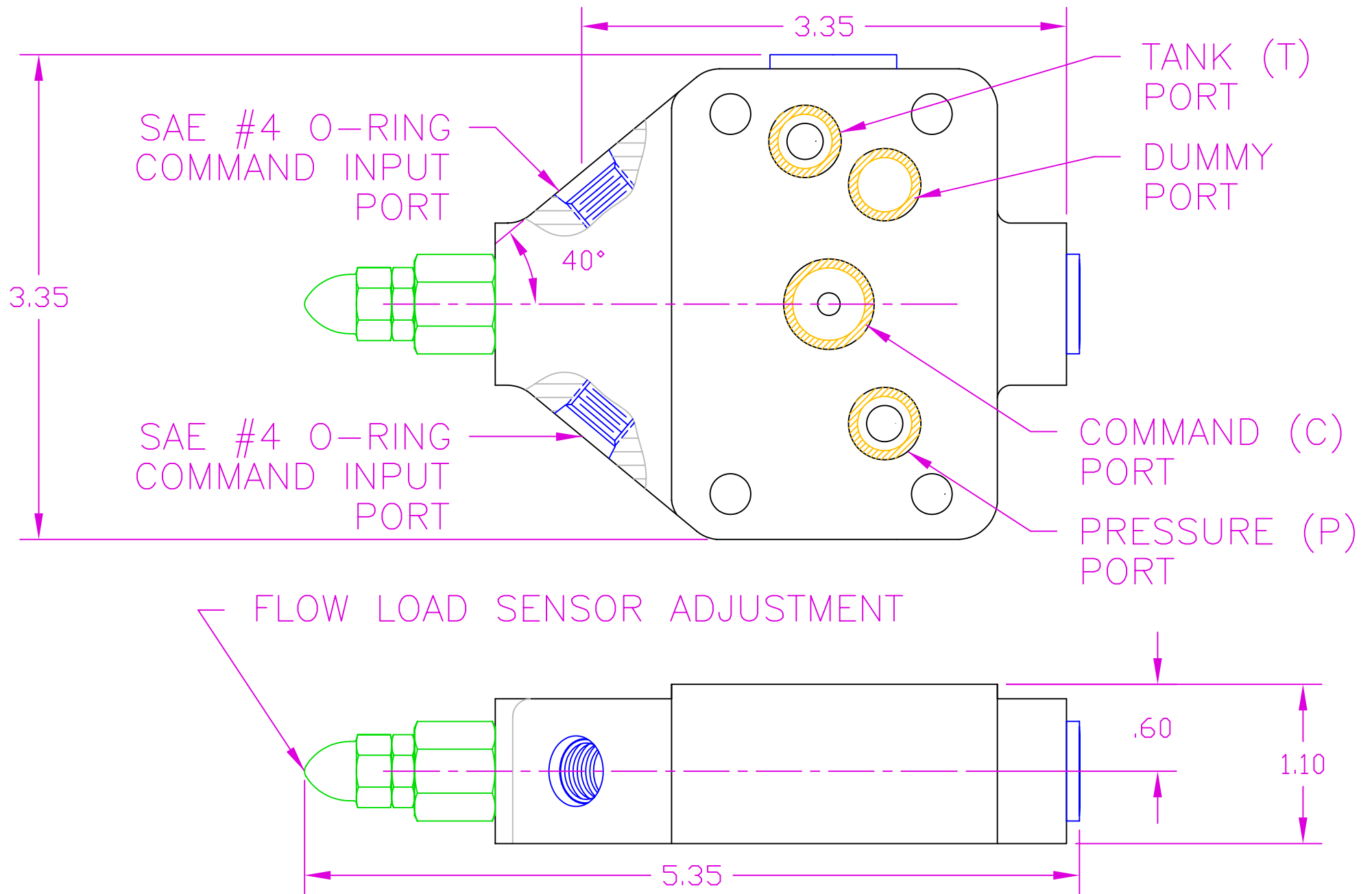
NOT TO SCALE

THE INFORMATION CONTAINED HEREIN IS THE PROPERTY OF HARTMANN CONTROLS INC., AND IS NOT TO BE USED IN A MANNER DETRIMENTAL TO HARTMANN CONTROLS INC.

DWG NO: PCALAH PUMP

TITLE: PVX PUMP WITH AN ADJUSTABLE LOAD SENSOR & PRESSURE COMPENSATOR

604 PROGRESS DRIVE
HARTLAND, WI 53029



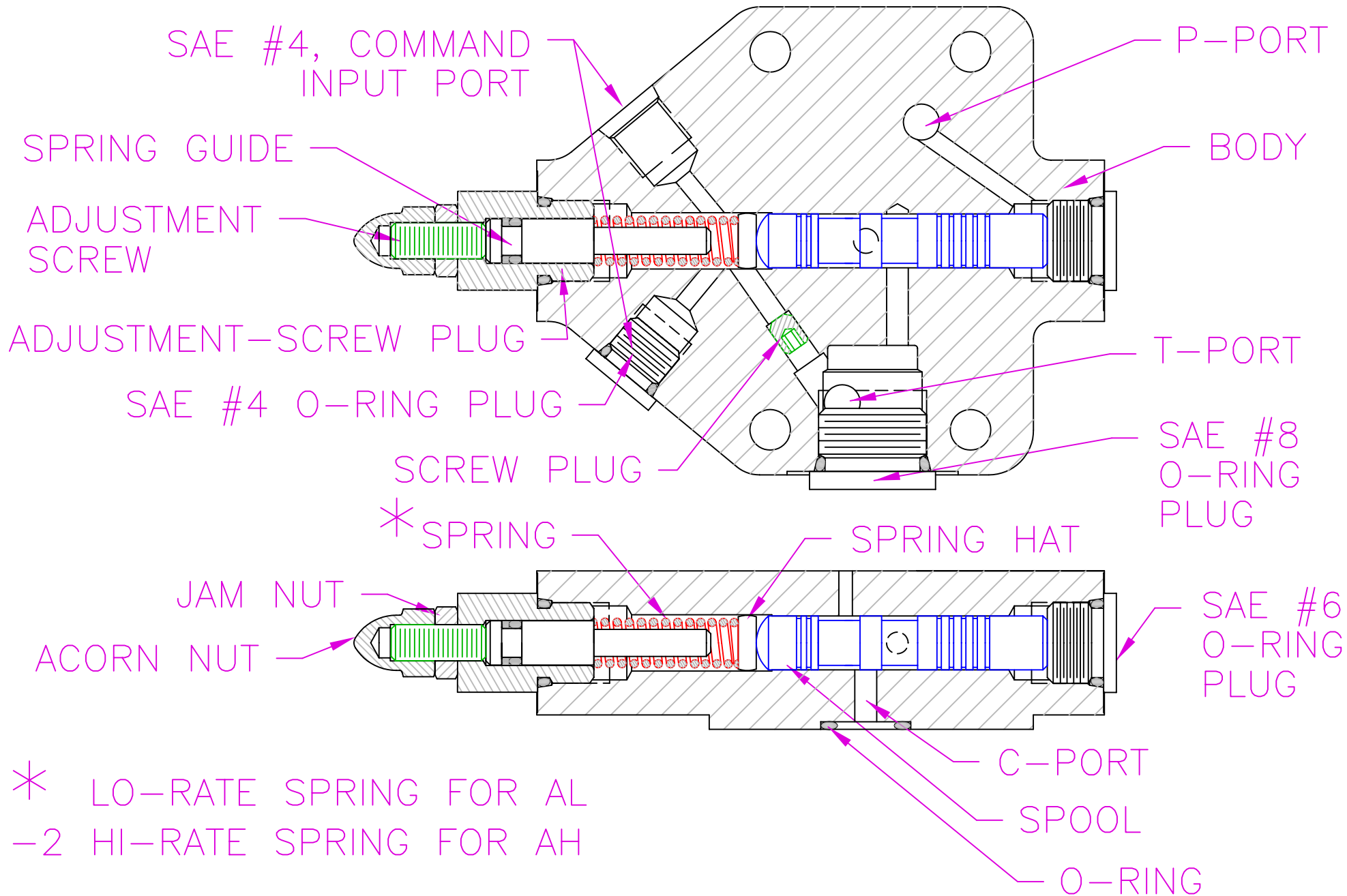
NOT TO SCALE

THE INFORMATION CONTAINED HEREIN IS THE PROPERTY OF HARTMANN CONTROLS INC., AND IS NOT TO BE USED IN A MANNER DETRIMENTAL TO HARTMANN CONTROLS INC.

DWG NO: 52143DIM

TITLE: OUTLINE OF AN
ADJUSTABLE
FLOW-LOAD SENSOR





NOT TO SCALE

TITLE:

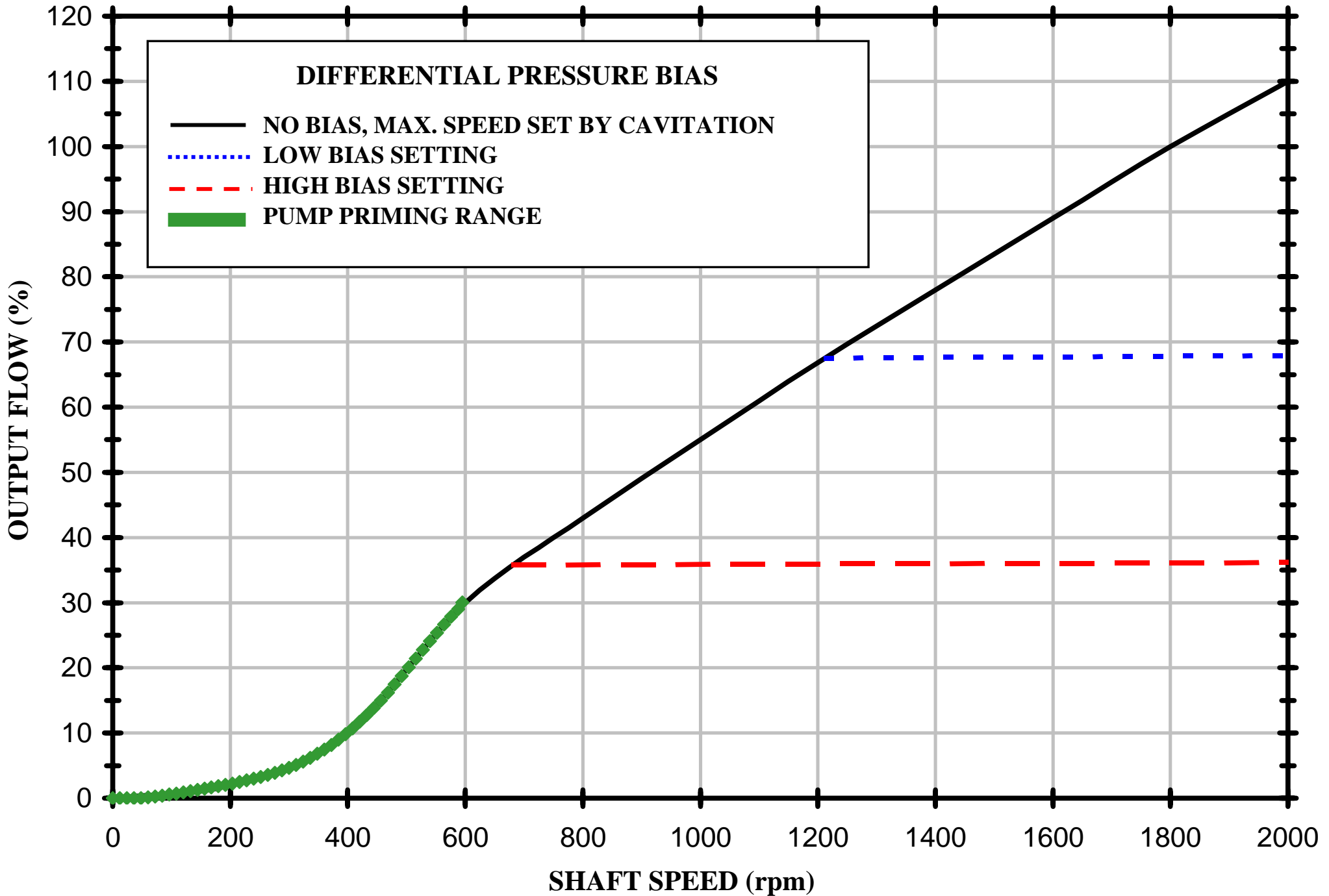
LAYOUT
OF AN ADJUSTABLE
FLOW-LOAD SENSOR

THE INFORMATION CONTAINED HEREIN IS THE PROPERTY OF
HARTMANN CONTROLS INC., AND IS NOT TO BE USED IN A
MANNER DETRIMENTAL TO HARTMANN CONTROLS INC.

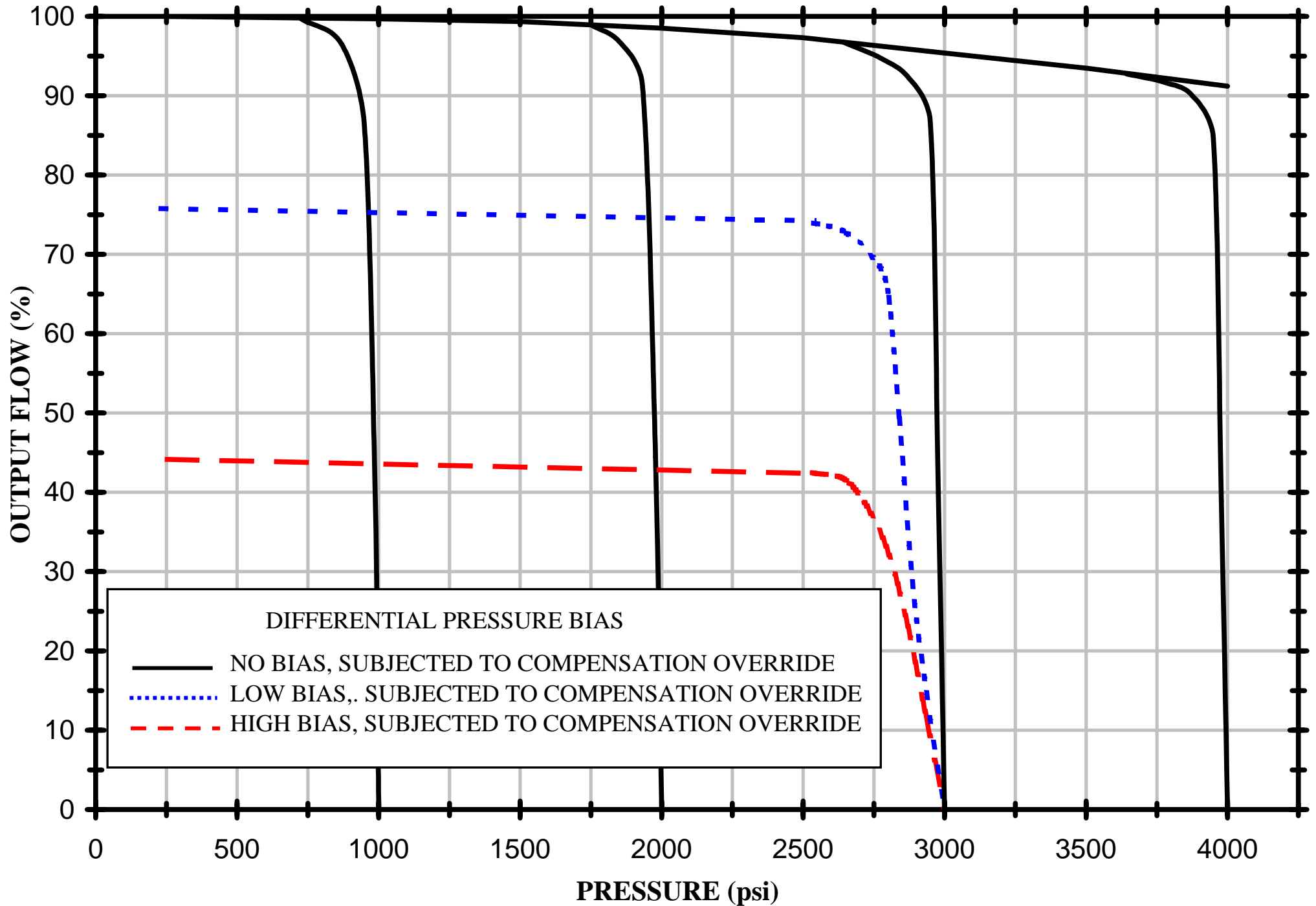
DWG NO: 52143LAY

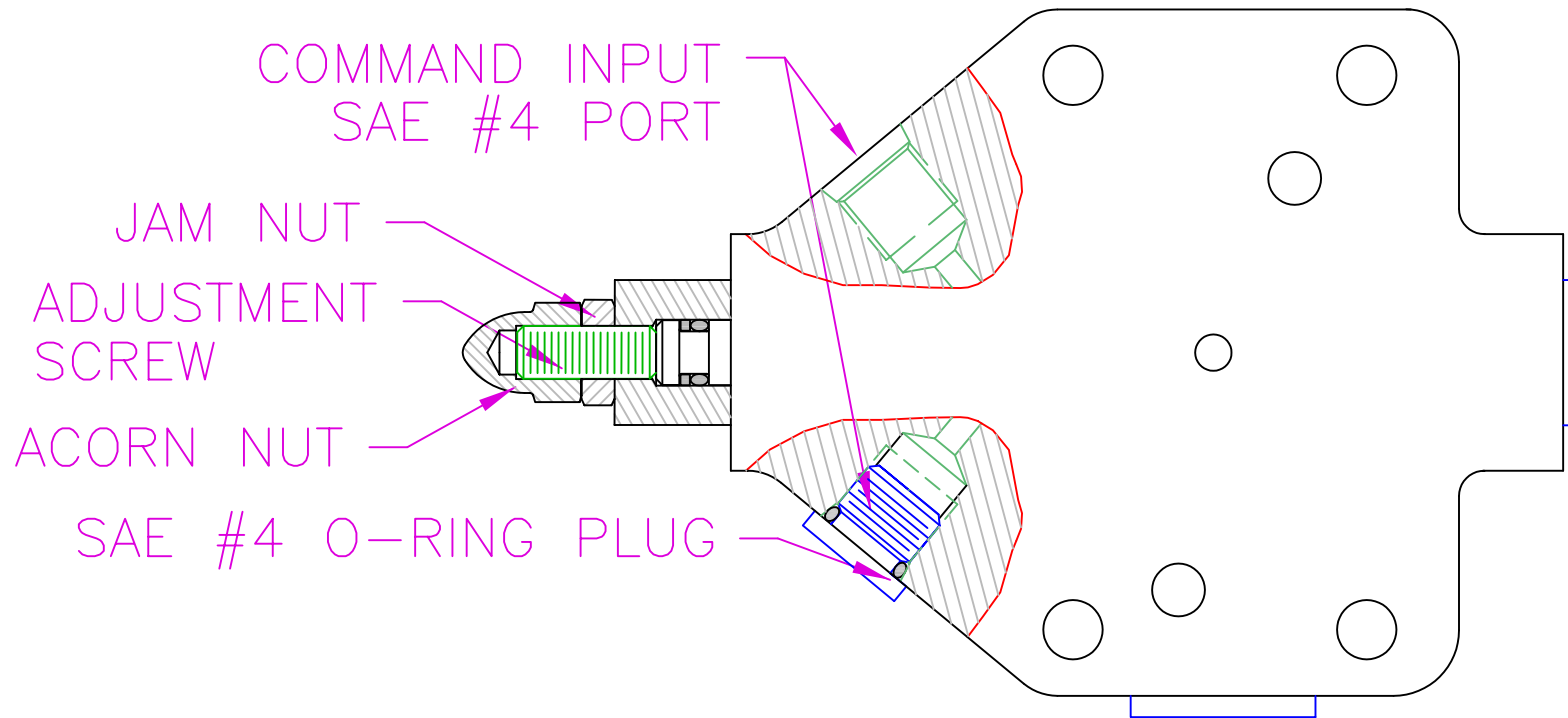
HARTMANN
CONTROLS INC.
604 PROGRESS DRIVE
HARTLAND, WI 53029

**SPEED LOADING RESPONSE OF A LOAD-SENSOR GOVERNED
VARIABLE DISPLACEMENT PUMP; ISO 32 OIL @ 115° F**



PRESSURE LOADING RESPONSE OF A LOAD-SENSOR GOVERNED VARIABLE DISPLACEMENT PUMP; ISO 32 OIL @ 115° F





1. CONNECT LOAD SENSE LINE TO THE PREFERRED COMMAND PORT
2. UNJAM ACORN NUT AND REMOVE IT COMPLETELY
3. INSERT ALLEN WRENCH INTO SCREW HEAD
4. HOLDING TIGHT THE ALLEN WRENCH, UNLOCK THE JAM NUT
5. WATCHING FLOW GAUGE TURN ALLEN WRENCH GENTLY IN INCREMENTS OF $<10^\circ$
 - A. CLOCKWISE TURN INCREASES FLOW SETTING
 - B. COUNTER-CLOCKWISE TURN DECREASES FLOW SETTING
6. WHEN DONE, HOLD ALLEN WRENCH TIGHTLY AND LOCK THE JAM NUT
7. COVER THE SCREW WITH ACORN NUT AND JAM IT

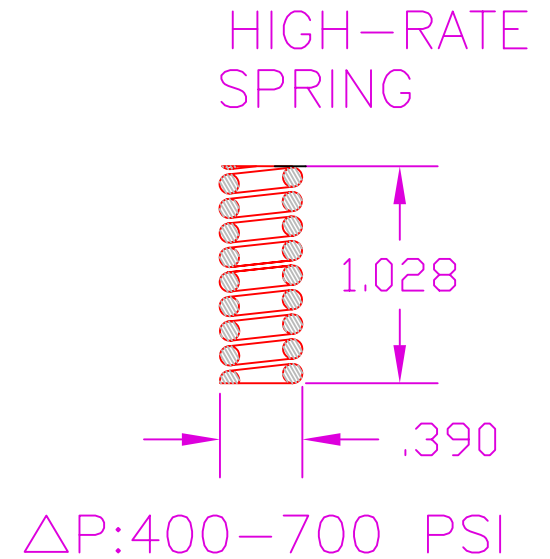
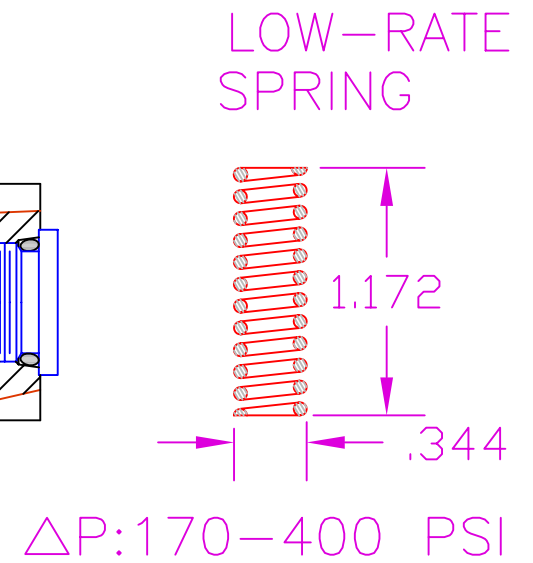
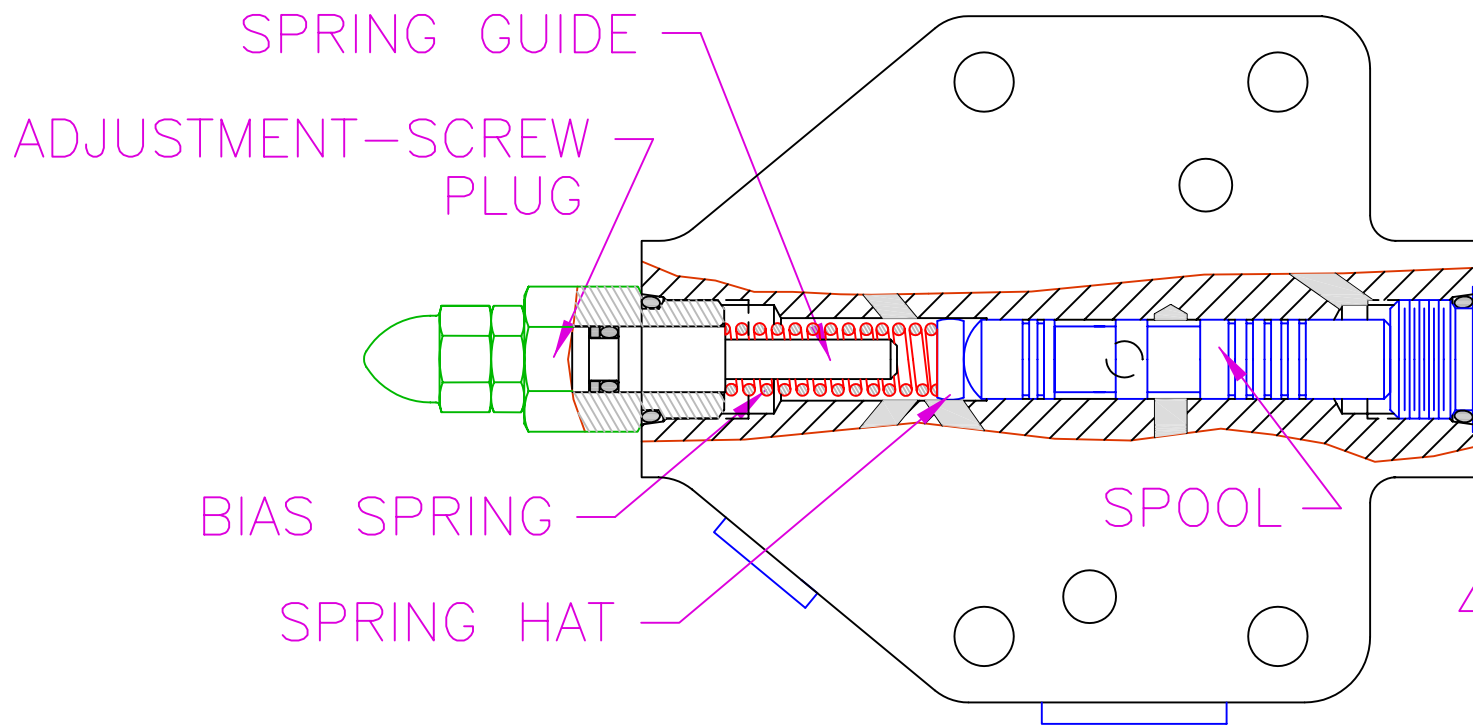
NOT TO SCALE

TITLE: BIAS ADJUSTMENT
IN AN ADJUSTABLE
FLOW-LOAD SENSOR

THE INFORMATION CONTAINED HEREIN IS THE PROPERTY OF
HARTMANN CONTROLS INC., AND IS NOT TO BE USED IN A
MANNER DETRIMENTAL TO HARTMANN CONTROLS INC.

DWG NO: 52143ADJUSTMNT

HARTMANN
CONTROLS INC.
604 PROGRESS DRIVE
HARTLAND, WI 53029



1. UNJAM ADJUSTMENT-SCREW PLUG
2. UNSCREW IT AND PULL OUT THE PLUG, GUIDE & SPRING
3. REMOVE THE CURRENT SPRING
4. ENGAGE THE DESIRED SPRING ON THE GUIDE
5. INSERT PLUG ASSEMBLY BACK INTO THE BODY
6. SLOWLY SREW IN THE ASSEMBLY
7. JAM THE ADJUSTMENT-SCREW PLUG
8. IF NECESSARY, ADJUST BIAS-SPRING TENSION

NOT TO SCALE

TITLE: BIAS-SPRING CHANGE
IN AN ADJUSTABLE
FLOW-LOAD SENSOR

THE INFORMATION CONTAINED HEREIN IS THE PROPERTY OF
HARTMANN CONTROLS INC., AND IS NOT TO BE USED IN A
MANNER DETRIMENTAL TO HARTMANN CONTROLS INC.

DWG NO: 52143SERVICE

