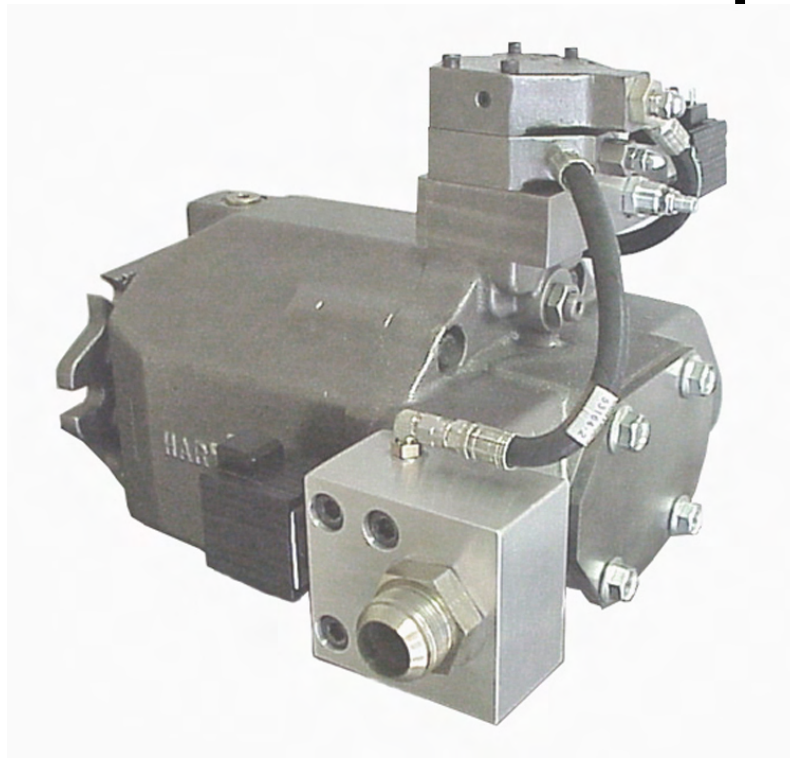
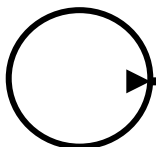




AB-BH, Adjustable Bias, Bleed Down Load Sensor for PVX Series Pumps



*Hydraulic pumps & motors with a **hart of gold**™*



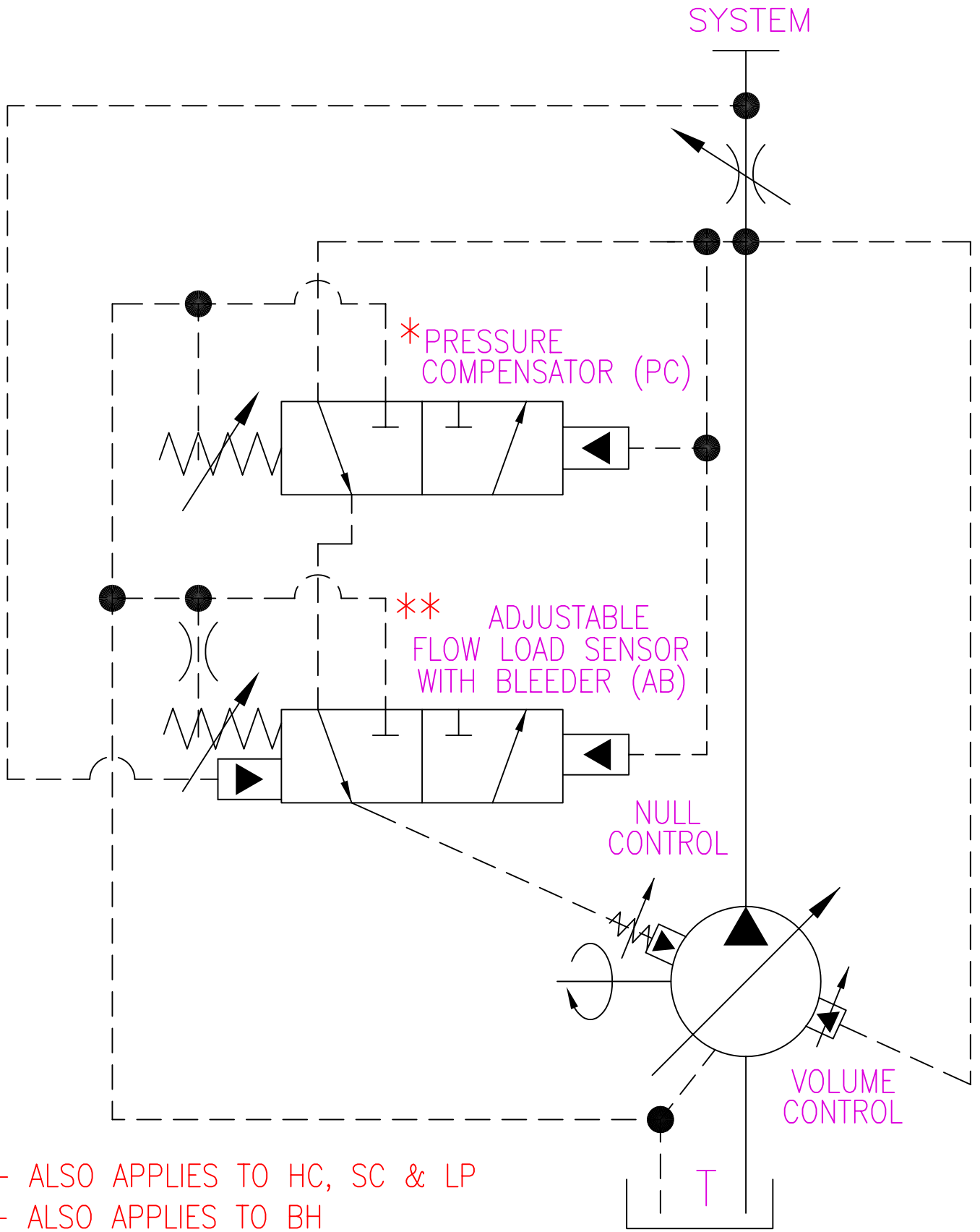
**604 PROGRESS DRIVE, HARTLAND, WI 53029
USA**

Phone: (262) 367-4299

URL: www.hartmanncontrols.com

FAX: (262) 367-5645

E-mail: sales@hartmanncontrols.com



NOT TO SCALE

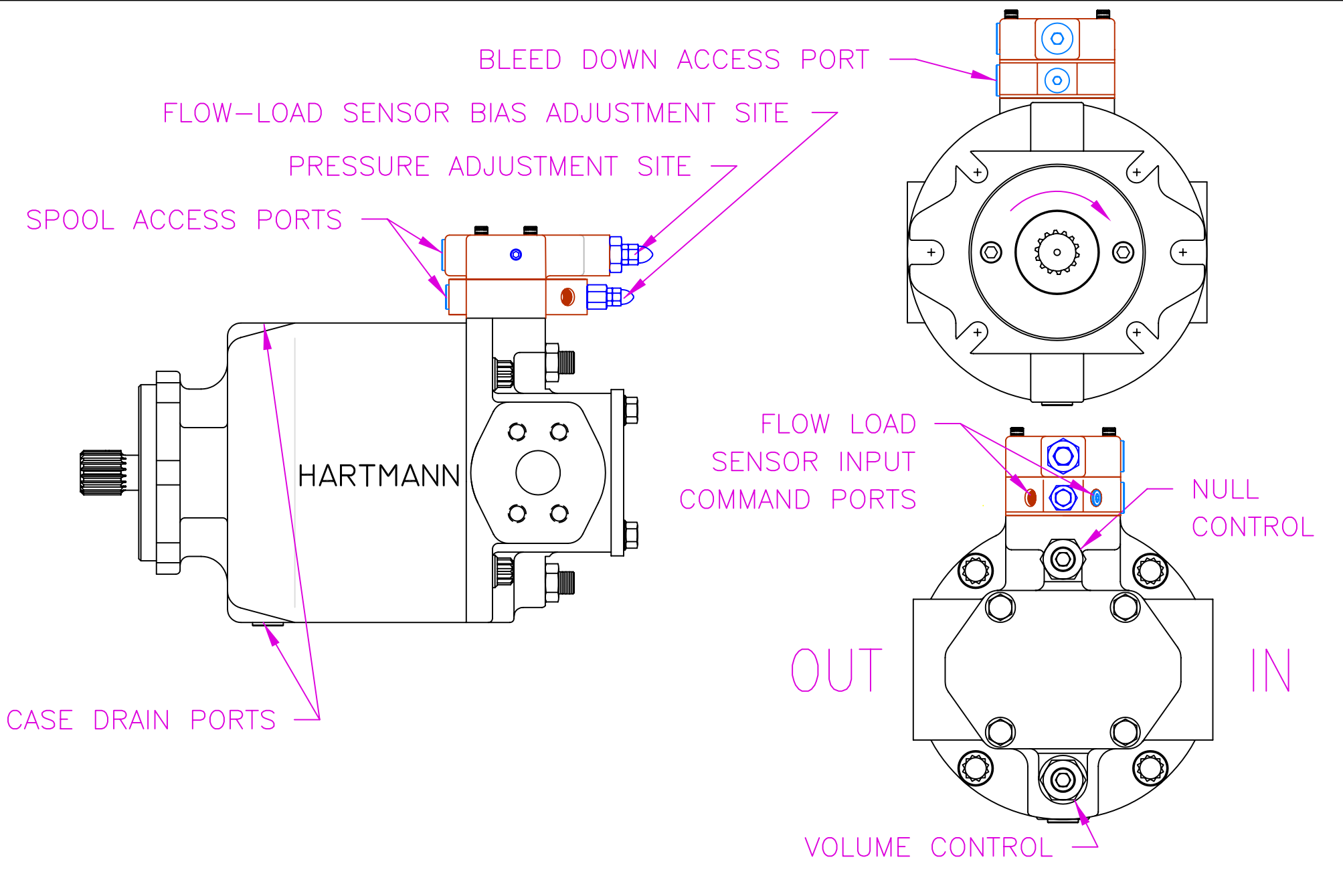
THE INFORMATION CONTAINED HEREIN IS THE PROPERTY OF HARTMANN CONTROLS INC., AND IS NOT TO BE USED IN A MANNER DETRIMENTAL TO HARTMANN CONTROLS INC.

DWG: SCMPCABBH

TITLE: ADJUSTABLE LOAD SENSOR WITH BLEED DOWN & PRESSURE COMPENSATOR

604 PROGRESS DRIVE
HARTLAND, WI 53029

CONTROLS INC.



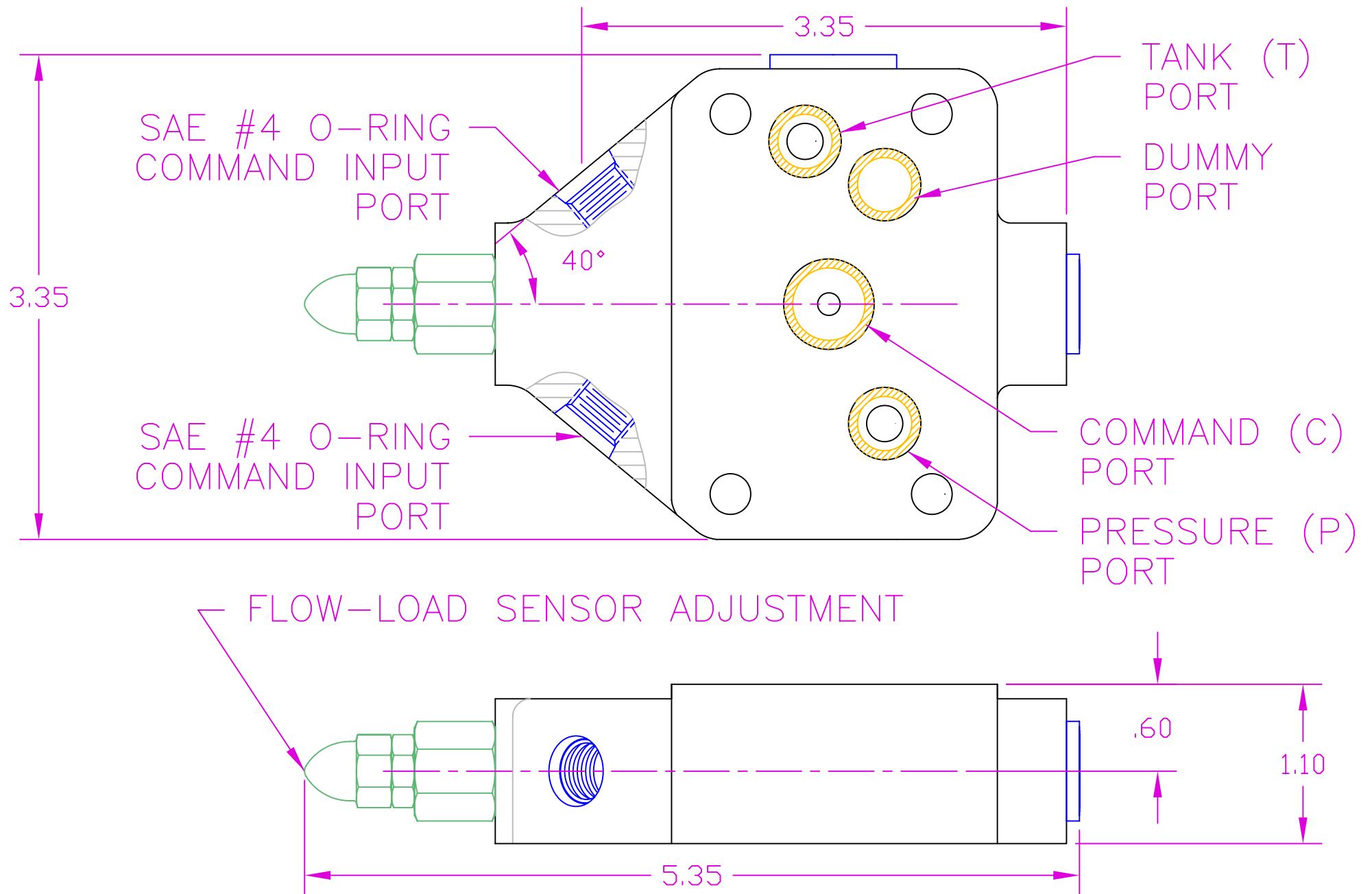
NOT TO SCALE

THE INFORMATION CONTAINED HEREIN IS THE PROPERTY OF HARTMANN CONTROLS INC., AND IS NOT TO BE USED IN A MANNER DETRIMENTAL TO HARTMANN CONTROLS INC.

DWG NO: PCABBHPUMP

TITLE: PVX WITH ADJUSTABLE LOAD SENSOR & BLEEDER & PRESSURE COMPENSATOR

604 PROGRESS DRIVE
HARTLAND, WI 53029



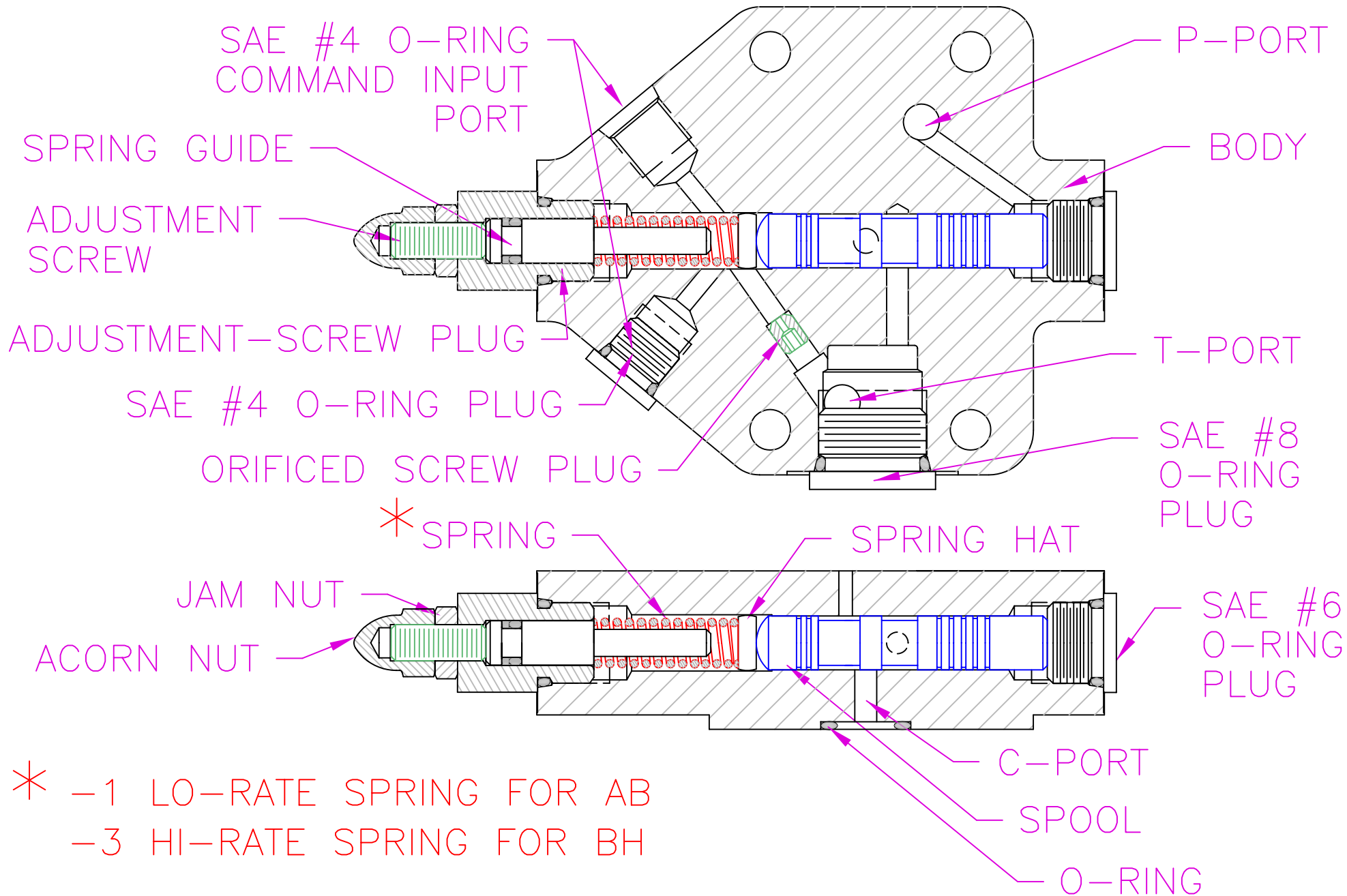
NOT TO SCALE

THE INFORMATION CONTAINED HEREIN IS THE PROPERTY OF
HARTMANN CONTROLS INC., AND IS NOT TO BE USED IN A
MANNER DETRIMENTAL TO HARTMANN CONTROLS INC.

DWG NO: 52143-1DIM

TITLE: OUTLINE OF AN
ADJUSTABLE FLOW-LOAD
SENSOR WITH BLEEDER





* -1 LO-RATE SPRING FOR AB
 -3 HI-RATE SPRING FOR BH

NOT TO SCALE

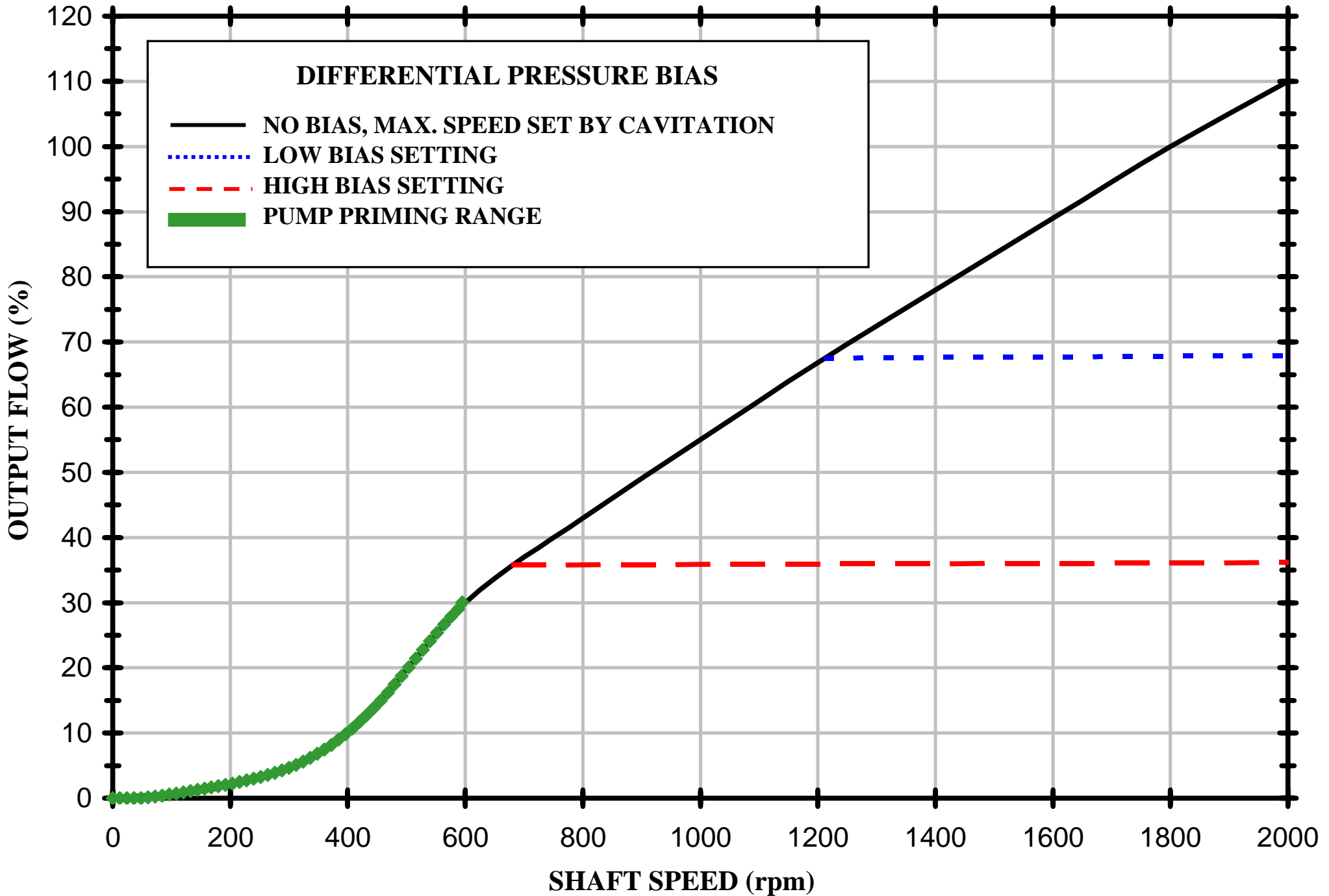
TITLE: LAYOUT OF AN
 ADJUSTABLE FLOW-LOAD
 SENSOR WITH BLEEDER

THE INFORMATION CONTAINED HEREIN IS THE PROPERTY OF
 HARTMANN CONTROLS INC., AND IS NOT TO BE USED IN A
 MANNER DETRIMENTAL TO HARTMANN CONTROLS INC.

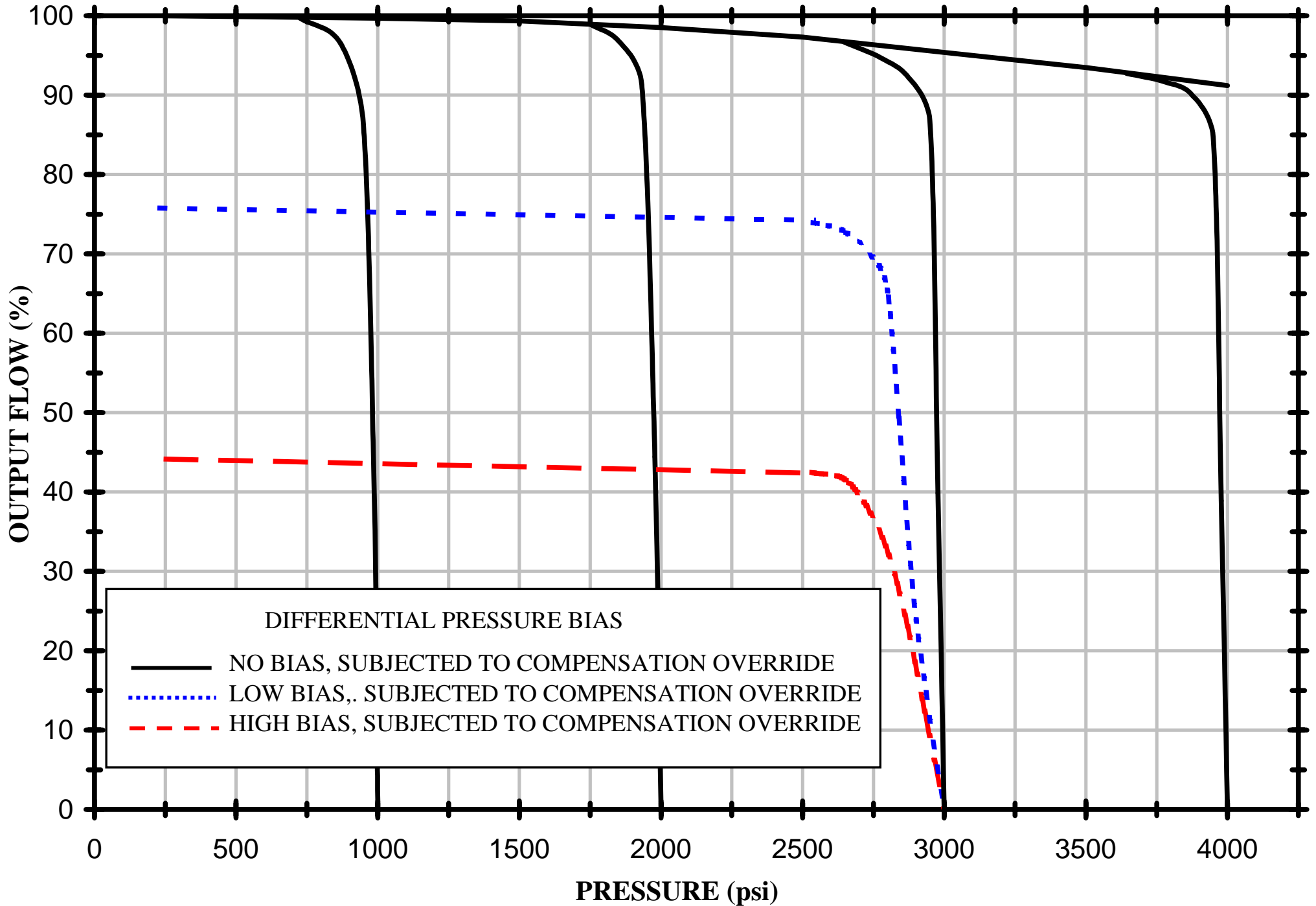
DWG NO: 52143-1LAY

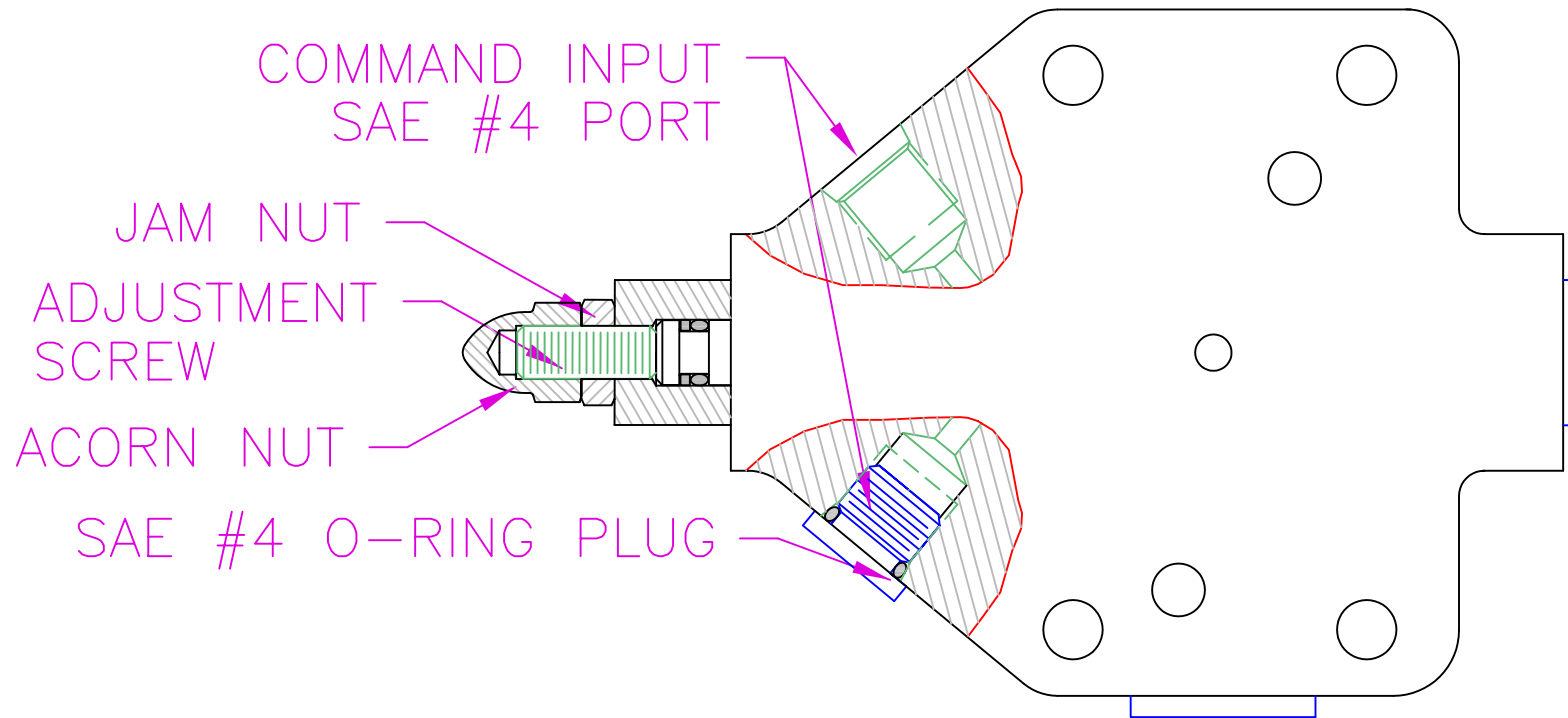


**SPEED LOADING RESPONSE OF A LOAD-SENSOR GOVERNED
VARIABLE DISPLACEMENT PUMP; ISO 32 OIL @ 115° F**



PRESSURE LOADING RESPONSE OF A LOAD-SENSOR GOVERNED VARIABLE DISPLACEMENT PUMP; ISO 32 OIL @ 115° F





1. CONNECT LOAD SENSE LINE TO THE PREFERRED COMMAND PORT
2. UNJAM ACORN NUT AND REMOVE IT COMPLETELY
3. INSERT ALLEN WRENCH INTO SCREW HEAD
4. HOLDING TIGHT THE ALLEN WRENCH, UNLOCK THE JAM NUT
5. WATCHING FLOW GAUGE TURN ALLEN WRENCH GENTLY IN INCREMENTS OF $<10^\circ$
 - A. CLOCKWISE TURN INCREASES FLOW SETTING
 - B. COUNTER-CLOCKWISE TURN DECREASES FLOW SETTING
6. WHEN DONE, HOLD ALLEN WRENCH TIGHTLY AND LOCK THE JAM NUT
7. COVER THE SCREW WITH ACORN NUT AND JAM IT

NOT TO SCALE

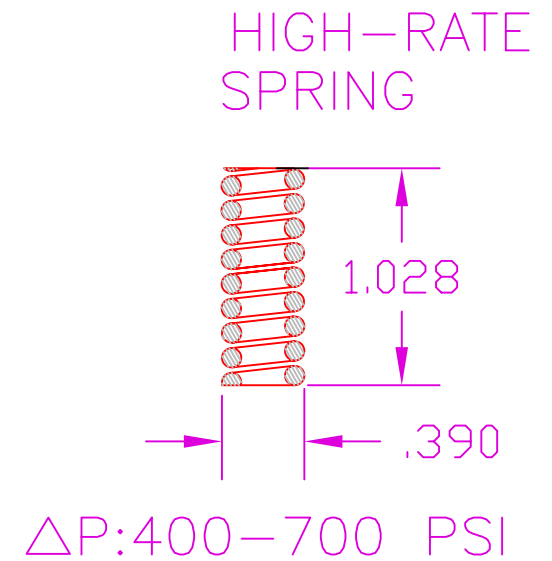
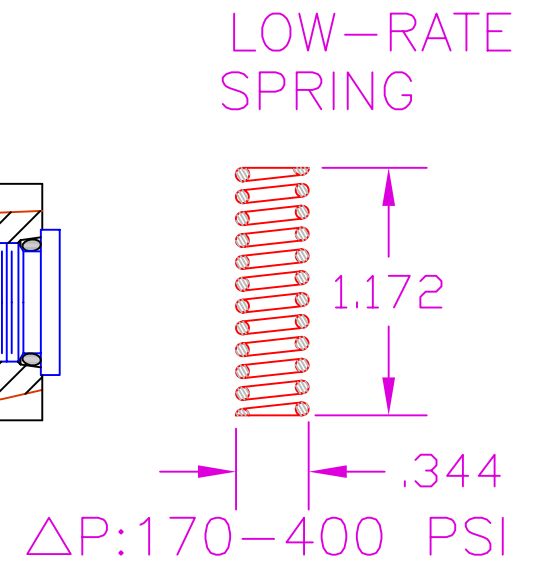
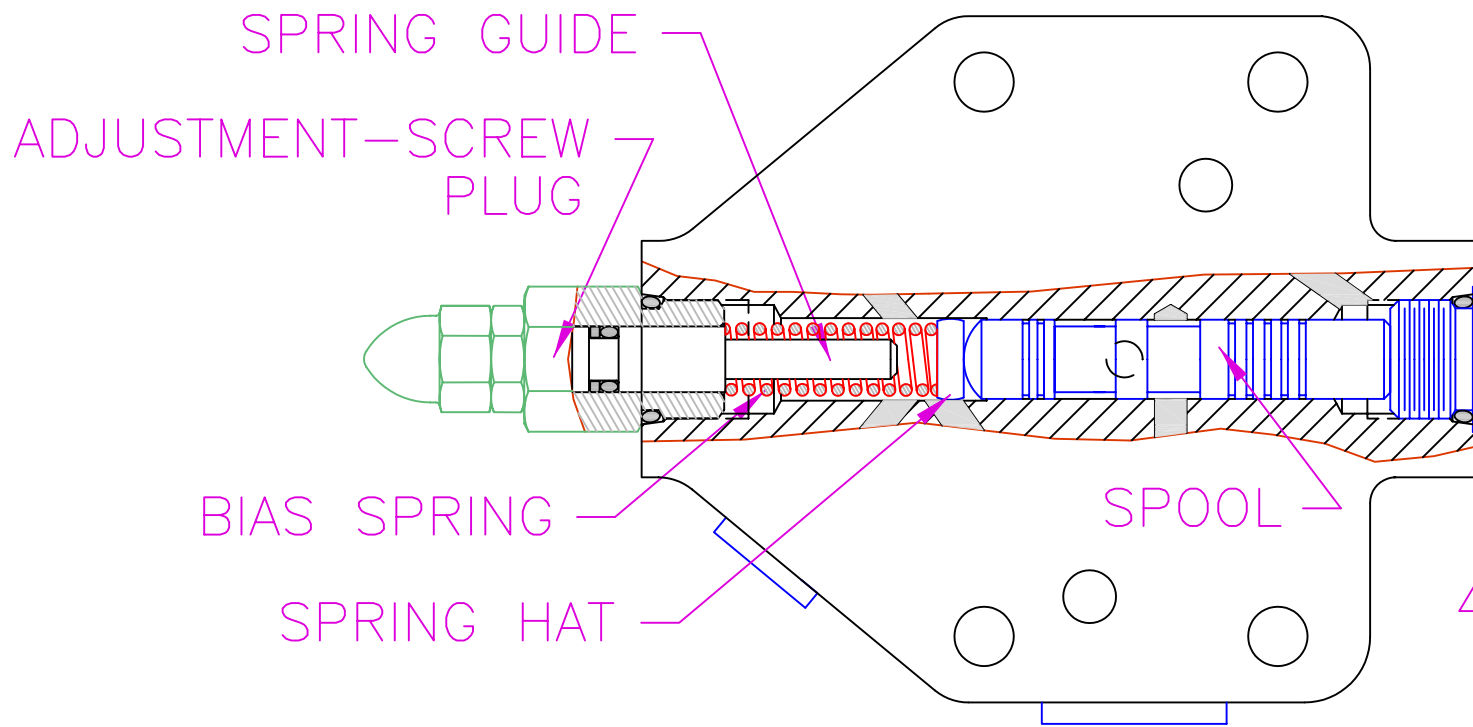
THE INFORMATION CONTAINED HEREIN IS THE PROPERTY OF HARTMANN CONTROLS INC., AND IS NOT TO BE USED IN A MANNER DETRIMENTAL TO HARTMANN CONTROLS INC.

DWG NO: 52143-1ADJUST

TITLE: BIAS ADJUSTMENT IN AN
ADJUSTABLE FLOW-LOAD
SENSOR WITH BLEEDER



CONTROLS INC.



1. UNJAM ADJUSTMENT-SCREW PLUG
2. UNSCREW IT AND PULL OUT THE PLUG, GUIDE & SPRING
3. REMOVE THE CURRENT SPRING
4. ENGAGE THE DESIRED SPRING ON THE GUIDE
5. INSERT PLUG ASSEMBLY BACK INTO THE BODY
6. SLOWLY SREW IN THE ASSEMBLY
7. JAM THE ADJUSTMENT-SCREW PLUG
8. IF NECESSARY, ADJUST BIAS-SPRING TENSION

NOT TO SCALE

TITLE: BIAS-SPRING CHANGE IN
AN ADJUSTABLE FLOW-LOAD
SENSOR WITH BLEEDER

THE INFORMATION CONTAINED HEREIN IS THE PROPERTY OF
HARTMANN CONTROLS INC., AND IS NOT TO BE USED IN A
MANNER DETRIMENTAL TO HARTMANN CONTROLS INC.

DWG NO: 52143-1SERVICE

