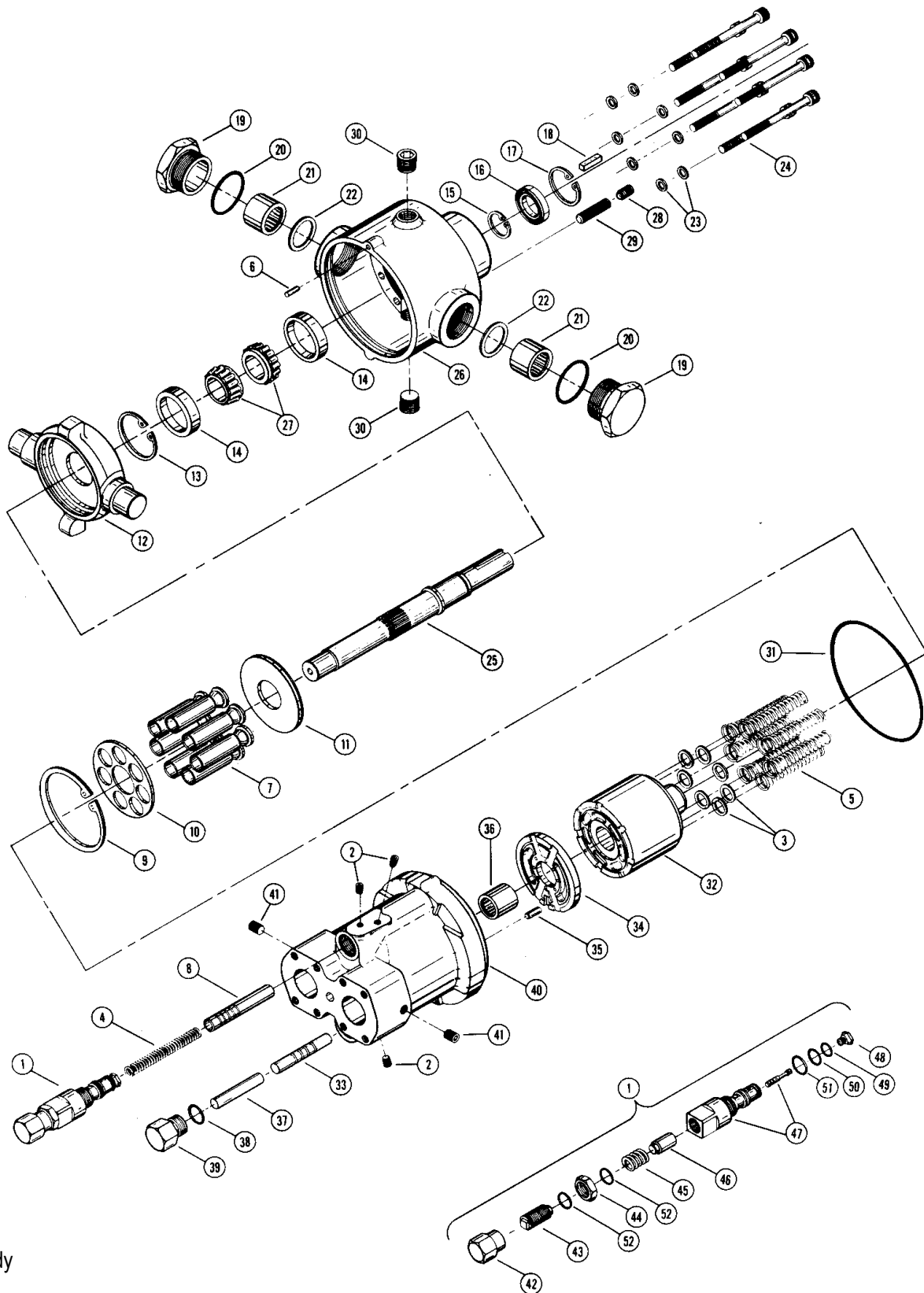




PV 300/400 SERIES PUMP PARTS

1. Compensator Assembly
2. Pipe Plug
3. Spring Seat
4. Starter Spring
5. Piston Spring
6. Case Dowel
7. Piston Assembly
8. Control Piston
9. Snap Ring
10. Hold Down Plate
11. Thrust Plate
12. Reaction Plate
13. Snap Ring
14. Bearing Cup
15. Snap Ring
16. Shaft Seal
17. Snap Ring
18. Key
19. Trunnion Nut
20. O-Ring
21. Needle Bearing
22. Trunnion Thrust Washer
23. Brass Washer
24. Housing Screw
25. Drive Shaft
26. Drive Cover
27. Bearing Cone
28. Lead Plug
29. Positive-Stop Set Screw
30. Pipe Plug
31. Housing O-Ring
32. Bronze Rotor
33. Control Piston
34. Valve Plate
35. Dowel Pin
36. Needle Bearing
37. Spacer
38. O-Ring
39. Volume Control Plug
40. Port End Cover
41. Pipe Plug



Compensator Assembly

42. Acorn Nut
43. Adjusting Screw
44. Lock Nut
45. Spring
46. Spring Guide
47. Matched Spool & Body
48. Stop Screw
- 49-52 O-Rings